



Advanced Card Systems Ltd.
Card & Reader Technologies

AET65 Fingerprint Reader



Application Programming Interface



Table of Contents

1.0.	Introduction	5
2.0.	BSAPI	6
2.1.	Terminology	6
2.2.	Overview	6
2.3.	Architecture	6
2.4.	Naming Conventions	7
3.0.	BSAPI.DLL Functions	8
3.1.	General Description	8
3.1.1.	Error Handling	8
3.1.2.	Memory Management	8
3.1.3.	Interactive Operations	8
3.1.4.	Multi-threading	8
3.1.5.	Anti-latent Checking	9
3.2.	Application General Functions	10
3.2.1.	ABSInitialize	10
3.2.2.	ABSInitializeEx	10
3.2.3.	ABSTerminate	10
3.2.4.	ABSOpen	11
3.2.5.	ABSClose	12
3.2.6.	ABSEnumerateDevices	12
3.2.7.	ABSGetDeviceProperty	13
3.2.8.	ABSFree	13
3.3.	Biometric Functions	14
3.3.1.	ABSEnroll	14
3.3.2.	ABSVerify	15
3.3.3.	ABSVerifyMatch	16
3.3.4.	ABSCapture	17
3.3.5.	ABSCheckLatent	18
3.3.6.	ABSNavigate	19
3.4.	Image Grabbing Functions	20
3.4.1.	ABSGrab	20
3.4.2.	ABSRawGrab	21
3.4.3.	ABSListImageFormats	22
3.4.4.	ABSGrabImage	23
3.4.5.	ABSRawGrabImage	24
3.5.	Miscellaneous Functions	26
3.5.1.	ABSCancelOperation	26
3.5.2.	ABSSetAppData	26
3.5.3.	ABSGetAppData	27
3.5.4.	ABSSetSessionParameter	27
3.5.5.	ABSGetSessionParameter	28
3.5.6.	ABSSetGlobalParameter	28
3.5.7.	ABSGetGlobalParameter	29
3.5.8.	ABSSetLED	29
3.5.9.	ABSGetLED	30
3.5.10.	ABSBinarizeSampleImage	32
3.5.11.	ABSGetLastErrorInfo	33
3.5.12.	ABSEscape	33
4.0.	BSGUI.DLL Functions	35
4.1.	Using BSGUI.DLL	35
4.2.	GUI Customization	35
4.3.	Default Callback Implementation	35
4.3.1.	ABSDefaultCallback	35
4.4.	ABS_DEFAULT_CALLBACK_CONTEXT	37



4.5.	Flags for ABS_DEFAULT_CALL BACK_CONTEXT (ABS Default_CALLBACK_FLAG_xxxx)	37
5.0.	Declarations.....	38
5.1.	Basic Types	38
5.2.	Specific Types	38
5.2.1.	ABS_DATA	38
5.2.2.	ABS_BIR_HEADER.....	39
5.2.3.	ABS_BIR	40
5.2.4.	ABS_OPERATION.....	41
5.2.5.	ABS_PROFILE_DATA	42
5.2.6.	ABS_SWIPE_INFO.....	42
5.2.7.	ABS_IMAGE_FORMAT	43
5.2.8.	ABS_IMAGE	44
5.2.9.	ABS_PROCESS_DATA.....	45
5.2.10.	ABS_PROCESS_BEGIN_DATA	45
5.2.11.	ABS_PROCESS_PROGRESS_DATA	45
5.2.12.	ABS_PROCESS_SUCCESS_DATA	46
5.2.13.	ABS_NAVIGATION_DATA	46
5.2.14.	ABS_DEVICE_LIST_ITEM	46
5.2.15.	ABS_DEVICE_LIST	47
5.2.16.	ABS_CALLBACK	48
6.0.	Specific Constants.....	50
6.1.	Flags for ABSInitializeEx (ABS_INIT_FLAG_xxxx)	50
6.2.	Flags for ABS_OPERATION (ABS_OPERATION_FLAG_xxxx).....	50
6.3.	Flags for Biometric and Image Grabbing Functions (ABS_FLAG_xxxx).....	51
6.4.	Template Purpose Constants (ABS_PURPOSE_xxxx)	52
6.5.	Key Constants for ABS_PROFILE_DATA (ABS_PKEY_xxxx)	53
6.6.	ABS_PKEY_IMAGE_FORMAT Values (ABS_PVAL_IFMT_xxxx)	56
6.7.	ABS_PKEY_REC_TERMINATION_POLICY Values (ABS_PVAL_RTP_xxxx).....	60
6.8.	ABS_PKEY_REC_SWIPE_DIRECTION Values (ABS_PVAL_SWIPEDIR_xxxx).....	61
6.9.	ABS_PKEY_REC_NOISE_ROBUSTNESS Values (ABS_PVAL_NOIR_xxxx).....	61
6.10.	ABS_PKEY_SENSOR_SECURITY_MODE values (ABS_PVAL_SSM_xxxx).....	63
6.11.	Swipe Info Flags (ABS_SWIPE_FLAG_xxxx)	64
6.12.	Process Constants (ABS_PROCESS_xxxx)	65
6.13.	Device Property Constants (ABS_DEVPROP_xxxx)	68
6.14.	Session and Global Parameter Constants (ABS_PARAM_xxxx).....	69
6.15.	Parameter ABS_PARAM_CONSOLIDATION_TYPE Values (ABS_CONSOLIDATION_xxxx)	72
6.16.	Parameter ABS_PARAM_MATCH_LEVEL Values (ABS_MATCH_xxxx).....	72
6.17.	Parameter ABS_PARAM_ANTISPOOFING_POLICY Values	73
6.18.	Callback Message Codes (ABS_MSG_xxxx).....	73
7.0.	List of Defined Result Codes	78
8.0.	New Features in Version 3.5	79
8.1.	Global Parameter ABS_PARAM_IFACE_VERSION	79
8.2.	Dynamic Enrollment.....	79
8.2.1.	Global Parameter ABS_PARAM_CONSOLIDATION_COUNT.....	79
8.2.2.	Structure ABS_PROCESS_BEGIN_DATA.....	79
8.2.3.	Structure ABS_PROCESS_PROGRESS_DATA	79
8.2.4.	Constant ABS_PROCESS_CONSOLIDATE.....	79
8.3.	Image Grabbing Functions	80
8.3.1.	Constant ABS_FLAG_HIGH_RESOLUTION	80
8.3.2.	Structure ABS_IMAGE.....	80
8.3.3.	New Grabbing Functions	80
8.4.	Global Parameter ABS_PARAM_POWER_SAVE_CHECK_KEYBOARD	80



8.5. Internal Template Format Types80
8.6. Compatibility with Windows NT Services81
8.7. ABS_CALLBACK and Threads.....81
8.8. Support for Terminal and Citrix.....81

Figures

Figure 1: AET65 System Block Diagram 5
Figure 2: AET65 Connection 5

1.0. Introduction

The AET65 is a composite device, consisting of a smart card reader and a swipe fingerprint sensor. The smart card reader and the fingerprint sensor can be used independently, but combining the two technologies provide a higher level of security in applications. The AET65's system diagram is shown below:

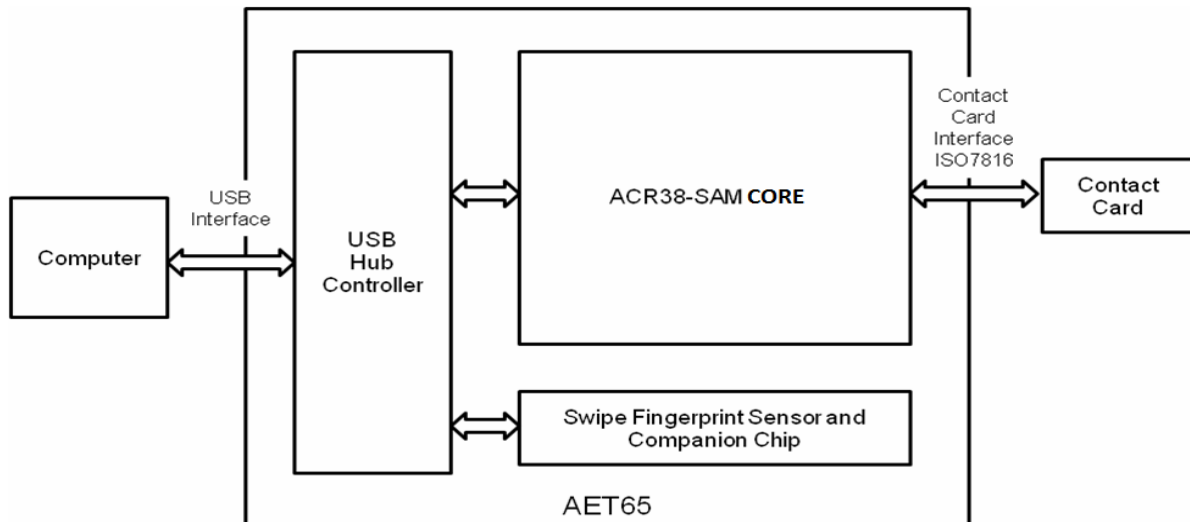


Figure 1: AET65 System Block Diagram

The smart card reader module, which is based on the ACR38-SAM core, follows the PC/SC API standards. For information on the smart card reader module, please refer to the AET65 Smart Card Reader Reference Manual document (REF_AET65_v1.0).

The purpose of this document is to describe the architecture and interface of Biometric Services API (BSAPI). This is based on UPEK's BSAPI Reference Manual and shall cover the Application Programming Interface related only to the fingerprint sensor. This manual describes the BSAPI and how to use the different libraries to program the fingerprint module of AET65. The libraries are responsible for handling the communication details, parameter conversions and error handling providing programmers a simple and consistent interface over all possible hardware. The architecture of the BSAPI can be visualized as the diagram below:

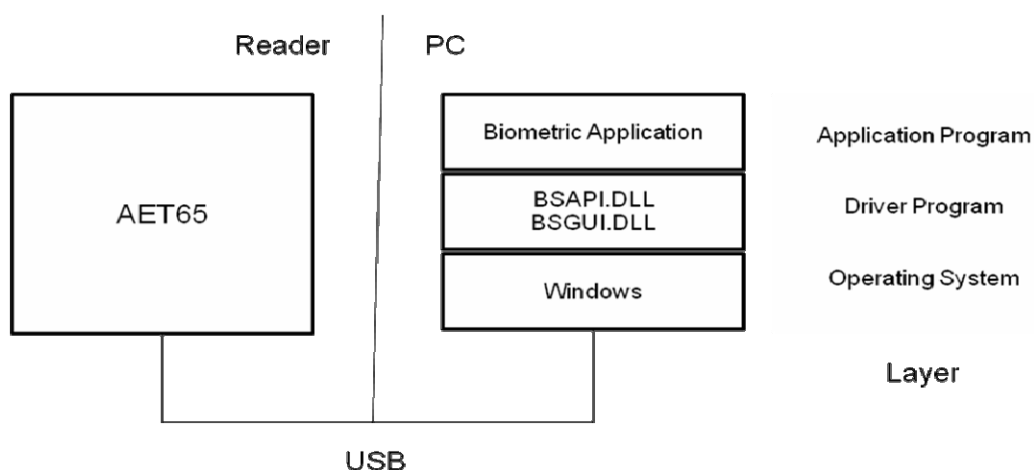


Figure 2: AET65 Connection



2.0. BSAPI

2.1. Terminology

- **BSAPI** – Biometric Services API
- **FM** – fingerprint module (fingerprint reader device) connected to host
- **HOST** – computer where the FM is connected to
- **BioAPI** – the industry standard for biometric API, developed by BioAPI Consortium [www.bioapi.org]. All references to BioAPI in this document assume version 1.1 of the standard.
- **BioAPI Framework** – reference implementation of BioAPI, by BioAPI Consortium.
- **(BioAPI) BSP** – Biometry Service Provider; third-party module pluggable into BioAPI Framework. BSP provides support for particular device (e.g. fingerprint reader).
- **BSP API** – API below BioAPI Framework, specifying interface between BioAPI framework and BSPs.
- **TFMESSBSP** – UPEK BSP implementation, supporting TFM and ESS devices.

2.2. Overview

BSAPI was designed to meet these requirements:

- Similar to BioAPI: development team familiar with BioAPI should be able to adopt BSAPI easily and in reasonably short time.
- Compatibility with TFMESSBSP: BSAPI will provide functions which can behave exactly as corresponding functions in TFMESSBSP. (Future version of TFMESSBSP can be implemented on top of BSAPI easily.)
- BSAPI will be implemented in simple DLL. Unlike BioAPI, BSAPI does not require any framework to use it.
- BSAPI will provide more functionality comparing to BioAPI, so more biometric and miscellaneous features of our devices will be available (e.g. navigation).
- Avoid need to use any low level API (e.g. PTAPI).

Do not misunderstand the term “compatibility” with BioAPI as used in the list above. There will be no binary compatibility between BioAPI and BSAPI, nor compatibility on source level. BSAPI will provide set of function which will allow all code using BioAPI (with TFMESSBSP) to be rewritten to use BSAPI instead, with exactly the same behavior.

In fact, as further described below, future versions of TFMESSBSP will be thin layer on top of BSAPI.

2.3. Architecture

BSAPI is composed of several dynamic libraries (.DLL on Windows. On other system, other file extension is used.):

- **BSAPI.DLL**, which contains all core functionality. This library will be mostly platform independent on source level. Porting BSAPI to additional platforms (e.g. Linux, Mac OS X) will be relatively cheap and fast task assuming that the underlying libraries are ported as well.
- **BSGUI.DLL** providing default implementation of GUI callback. The library loads graphics from separated .zip file (window decorations and feedback images), so that customization of look & feel is possible. The library supports multiple languages (localization), generally those supported in our other software. Applications can provide their own callback and in such case, they do not use this library. **Please note that currently BSGUI.DLL is available only for Windows platform.**



Application developers can choose from several approaches on how to deal with the GUI:

- Use BSGUI.DLL as it is, will guarantee appearance of the applications, consistent with their own applications.
- Use BSGUI.DLL, with customized .zip file (some or all of the graphics in the .zip file can be modified or replaced with other graphics).
- Apply their own callback implementation. This allows maximal freedom in customization, including adding support for languages not supported by BSGUI.DLL.

BSAPI is implemented on top of BioFrame. The BioFrame is a library providing high level management of the device, quality assurance and other policies. This allows users of BSAPI to concentrate on application logic and not sink into low level details.

Future versions of BioAPI BSP will be redesigned as a simple layer on top of BSAPI to avoid duplicity of code in BSAPI and TFMESSBSP implementations. BSAPI should be linked statically into the TFMESSBSP. This will prevent unnecessary exporting BSAPI symbols from the DLL so users of BioAPI could not mix the two APIs in one program by mistake. Also due to the nature of static libraries only the required subset of BSAPI library will be included in the TFMESSBSP.

2.4. Naming Conventions

All identifiers (names of constants, types and functions) will use prefix "ABS", and follow the patterns below:

- ABS_MACRO_IDENTIFIER
- ABS_TYPE_IDENTIFIER
- ABSFunctionIdentifier()

In function prototypes special words `IN`, `OUT` and `INOUT` are used, to denote if the parameter is used to pass data into the function, return some result data or both.



3.0. BSAPI.DLL Functions

3.1. General Description

BSAPI.DLL provides a set of functions which can read data from supported fingerprint sensor devices, and which apply various biometric algorithms to these data.

The main header file declaring functions of BSAPI is `bsapi.h`. The header includes `bstypes.h` and `bserror.h` which declare types and error status codes. The latter two headers are shared with the other libraries the BSAPI consists of.

3.1.1. Error Handling

Almost all BSAPI.DLL functions return a status code **ABS_STATUS**. Code **ABS_STATUS_OK** (zero) means success. All other values denote an error condition.

You may call **ABSGetLastErrorInfo** to retrieve more information about the error condition. Note that the information is intended as a help for application and library developers and it's not intended to be presented to end users.

If any BSAPI.DLL function fails, it frees any resources it might allocate. Values of output parameters are defined only if the function succeeds i.e. if it returns `ABS_STATUS_OK`.

3.1.2. Memory Management

Some BSAPI.DLL functions allocate memory returned via output parameter to the calling application. The application must use function **ABSFree** to free memory allocated by BSAPI.DLL in these cases.

3.1.3. Interactive Operations

Some of the BSAPI.DLL functions expect user's interaction with FM. All these functions are collectively called **interactive operations** in this document. Interactive operation functions share the way how the interaction is achieved.

All those functions have pointer to structure **ABS_OPERATION** as their second parameter (just after handle of a session). When you call any interactive operation function, it blocks until the operation finishes or until it is canceled. While the operation is processing, callback specified by **ABS_OPERATION** is repeatedly called so that the application can provide feedback to end-user.

Note that the callback implementation has some limitations. The behavior is not defined if you don't respect them:

- You cannot throw exceptions from the callback (if you use BSAPI from C++ or other language which supports them).
- You cannot call majority of BSAPI functions from the callback. You can safely call only **ABSFree**, **ABSCancelOperation** and **ABSGetLastErrorInfo** from the callback.

Since version 3.5 of BSAPI, the callback is always called from a thread context where the interactive operation function has been called. (In older versions of BSAPI, this was not guaranteed).

You may cancel any running interactive operation with **ABSCancelOperation** if needed. You may call this function either from the callback itself or from any other thread if you associated unique operation ID to the operation you need to cancel.

Please note that structure `ABS_OPERATION` contains member `Flags` which can influence how the callback is called. See description of `ABS_OPERATION` to get more information on this topic.

3.1.4. Multi-threading

In general, BSAPI.DLL is thread-safe. You can call BSAPI.DLL functions concurrently from multiple threads, including multiple biometric operations on one FM. If multiple threads call BSAPI.DLL function which communicates with FM, one of the calls is blocked (for caller it seems that the operation is still processing) and it is resumed after the thread communicating with the device is



finished.

If the function being suspended is an interactive operation, the application is informed about the situation via the `ABS_CALLBACK`. See documentation of messages `ABS_MSG_PROCESS_SUSPEND` and `ABS_MSG_PROCESS_RESUME` for more information.

The only exceptions are functions **ABSInitialize** and **ABSTerminate**. These two functions are **not** thread-safe. This is usually not a problem, because they are called as part of application initialization and termination respectively.

3.1.5. Anti-latent Checking

In general the goal of the anti-latent check is to minimize the negative impact of residual fingerprint left on the surface of area sensor. This negative impact has two forms – security (risk of a false accept) and convenience (risk of false reject due to the lowered image quality).

Note that for strip sensors, such checking is never performed because there is no danger, so for these sensors the API automatically reports the last scan as not being latent.

There are two ways how to perform the anti-latent checking. The first one is built-in high level biometric operations: enrollment and verification. I.e. calling `ABSEnroll()` or `ABSVerify()` automatically involves the anti-latent checking and the function does not return with templates evaluated as latent ones. Instead it asks user to clean sensor and scan finger again with appropriate callback messages. This implicit anti-latent checking can be turned off and on by setting global parameter `ABS_PARAM_LATENT_CHECK`. By default the checking is enabled.

The second way is to call `ABSCheckLatent` manually. BSAPI remembers automatically in a context of session last scanned image, and when this function is called it checks whether that scan is or is not latent.

Note that the logic of each check (implicit or explicit with `ABSCheckLatent`) is as follows. The last scanned image is compared with the last swipe which was considered as a valid one. If the two are same (according to the latent check algorithm), the result of the check is positive. If the two scans differ, the last scan is automatically stored as the last valid scan, so any subsequent checks mean that the last swipe is compared to this last scan.

This has one side effect: you should not make multiple latent checks after single scan because only the first anti-latent check will return any meaningful data. This includes implicit checking, so you should not call manually `ABSCheckLatent` after `ABSEnroll` or `ABSVerify` unless you disable the implicit checking by the global parameter `ABS_PARAM_LATENT_CHECK`.



3.2. Application General Functions

The Application General Functions initialize the BSAPI library, open and close logical connections to FM, and perform other miscellaneous tasks.

3.2.1. ABSInitialize

```
ABS_STATUS ABSInitialize(
    void
)
```

Description	Initialize the BSAPI library. BSAPI must be initialized before you can call any other function. It is called typically during application startup.	
Return Value	ABS_STATUS	Result Code: ABS_STATUS_OK (0) means success.

3.2.2. ABSInitializeEx

```
ABS_STATUS ABSInitializeEx(
    IN ABS_DWORD dwFlags
)
```

Description	Initialize the BSAPI library. BSAPI must be initialized before you can call any other function. It is called typically during application startup.	
Parameters		
dwFlags	On Windows only flag ABS_INIT_FLAG_NT_SERVICE is supported. On other systems, no flags are currently supported.	
Return Value	ABS_STATUS	Result Code: ABS_STATUS_OK (0) means success.

3.2.3. ABSTerminate

```
ABS_STATUS ABSTerminate(
    void
)
```

Description	Uninitialize the BSAPI library. Must not be called while any connections to FM are still open. It is not obligatory to call this function, if the BSAPI library should be kept initialized until the program exits, but it is recommended practice to do so.	
Return Value	ABS_STATUS	Result code. ABS_STATUS_OK (0) means success.



3.2.4. ABSOpen

```
ABS_STATUS ABSOpen(
    IN const ABS_CHAR *pszDsn
    OUT ABS_CONNECTION *phConnection
)
```

Description	Open a new session with a FM connected to this host.	
Parameters		
pszDsn	Zero-terminated ASCII string describing the FM connection parameters.	
phConnection	Resulting connection handle. At the end of the connection it should be closed with <code>ABSClose</code> .	
Return Value	ABS_STATUS	Result code. <code>ABS_STATUS_OK (0)</code> means success.
Remarks	<p>To close the connection you should call <code>ABSClose</code>.</p> <p>To open a connection through USB, no extra parameters are necessary.</p> <p>Example:</p> <pre>DSN = "usb"</pre> <p>"device=X" (for USB only) This option can be used for opening specified device if more than one are simultaneously attached to the system. X is the device name string identifying unambiguously required device and it can be obtained from call of function <code>ABSEnumerateDevices</code> (actually <code>ABSEnumerateDevices</code> will give whole DSN string). Note that X is dependent on host current system configuration.</p> <p>Example:</p> <pre>DSN = "usb,device=\\?\usb#vid_0483&pid_2016#5&20890ddc&0&1#{d5620e51-8478-44bd-867e-aac02f883a00}"</pre>	



3.2.5. ABSClose

```
ABS_STATUS ABSClose(  
    IN ABS_CONNECTION hConnection  
)
```

Description	Close a connection previously opened by <code>ABSOpen</code> .	
Parameters		
<code>hConnection</code>	Connection handle of the connection to be closed	
Return Value	<code>ABS_STATUS</code>	Result code. <code>ABS_STATUS_OK (0)</code> means success.
Remarks	Every successful call of <code>ABSOpen</code> should be paired with a call to <code>ABSClose</code> .	

3.2.6. ABSEnumerateDevices

```
ABS_STATUS ABSEnumerateDevices(  
    IN const ABS_CHAR *pszEnumDsn  
    OUT ABS_DEVICE_LIST **ppDeviceList  
)
```

Description	Enumerate currently connected fingerprint devices.	
Parameters		
<code>pszEnumDsn</code>	Zero terminated ASCII string describing the connection interface, where the enumeration should be performed. For example to enumerate all devices connected to USB use string "usb".	
<code>ppDeviceList</code>	Address of the pointer, which will be set to point to the list of found devices. The data has to be freed by a call to <code>ABSFree</code> .	
Return Value	<code>ABS_STATUS</code>	Result code. <code>ABS_STATUS_OK (0)</code> means success.
Remarks	Note: Currently only devices on USB interface can be enumerated.	



3.2.7. ABSGetDeviceProperty

```
ABS_STATUS ABSGetDeviceProperty(
    IN ABS_CONNECTION hConnection
    IN ABS_DWORD dwPropertyId
    OUT ABS_DATA **ppPropertyData
)
```

Description	Return data describing some property of device associated with the current open session.	
Parameters		
hConnection	Handle to the connection to FM.	
dwPropertyId	One of ABS_DEVPROP_XXXX constants, specifying what device property the caller is interested in.	
ppPropertyData	Address of a pointer which will be set to point to a data block. The content of the data depends on dwPropertyId. The data has to be freed by a call to ABSFree. See documentation of the constants for specific information.	
Return Value	ABS_STATUS	Result code. ABS_STATUS_OK (0) means success.

3.2.8. ABSFree

```
void ABSFree(
    IN void *Memblock
)
```

Description	Use this function to release memory allocated by other BSAPI.DLL functions.
Parameters	
Memblock	Address of a memory block to be released. It has no effect if this parameter



3.3. Biometric Functions

We will describe the biometric functions in this chapter.

3.3.1. ABSEnroll

```
ABS_STATUS ABSEnroll(
    IN ABS_CONNECTION hConnection
    IN ABS_OPERATION *pOperation
    OUT ABS_BIR **ppEnrolledTemplate
    IN ABS_DWORD dwFlags
)
```

Description	Scan the live finger, process it into a fingerprint template and return it to the caller.	
Parameters		
hConnection	Handle to the connection to FM.	
pOperation	See description of ABS_OPERATION.	
Ppenrolled Template	Address of the pointer, which will be set to point to the resulting template (BIR). The template has to be discarded by a call to ABSFree.	
dwFlags	Reserved for future use. Set to zero.	
Return Value	ABS_STATUS	Result code. ABS_STATUS_OK (0) means success.



3.3.2. ABSVerify

```
ABS_STATUS ABSVerify(
    IN ABS_CONNECTION hConnection
    IN ABS_OPERATION *pOperation
    IN ABS_DWORD dwTemplateCount
    IN ABS_BIR **pTemplateArray
    OUT ABS_LONG *pResult
    IN ABS_DWORD dwFlags
)
```

Description	This function captures sample from the FM, processes it into template and compares it with templates, specified by the <code>pTemplateArray</code> parameter and finds out the first template which matches the swiped finger.	
Parameters		
<code>hConnection</code>	Handle to the connection to FM.	
<code>pOperation</code>	See description of <code>ABS_OPERATION</code> .	
<code>dwTemplateCount</code>	Count of templates in the <code>pTemplateArray</code> .	
<code>pTemplateArray</code>	Pointer to the array of pointers to templates.	
<code>pResult</code>	Pointer to memory location, where result of the comparing will be stored. The result is indexed into the <code>pTemplateArray</code> , determining the matching template, or -1 if no template matches.	
<code>dwFlags</code>	<p>Bitmask specifying flags, which modify slightly behavior of the function.</p> <p>This function supports flags <code>ABS_FLAG_NOTIFICATION</code> and <code>ABS_FLAG_AUTOREPEAT</code>.</p> <p>If <code>ABS_FLAG_NOTIFICATION</code> is set, the verification operation does not show any GUI feedback until the finger is swiped. This can be useful for applications doing their own work; and only when user swipes, the application processes some special action. Until the user swipes, he is not disrupted with any dialog.</p> <p>Showing/hiding of the dialog is controlled by messages <code>ABS_MSG_DLG_SHOW</code> and <code>ABS_MSG_DLG_HIDE</code>.</p> <p>If flag <code>ABS_FLAG_AUTOREPEAT</code> is used, the verification is automatically restarted when the user's swipe does not match any template in <code>pTemplateArray</code>. This is better than calling the function in a loop until the user's swipe matches some template in the <code>pTemplateArray</code>, because this can prevent a GUI feedback dialog from hiding and showing between the calls.</p>	
Return Value	<code>ABS_STATUS</code>	Result code. <code>ABS_STATUS_OK</code> (0) means success.



3.3.3. ABSVerifyMatch

```

ABS_STATUS ABSVerifyMatch(
    IN ABS_CONNECTION hConnection
    IN ABS_BIR *pEnrolledTemplate
    IN ABS_BIR *pVerificationTemplate
    OUT ABS_BOOL *pResult
    IN ABS_DWORD dwFlags
)
    
```

Description	Compares whether two given templates match or not.	
Parameters		
hConnection	Handle to the connection to FM.	
pEnrolledTemplate	The first template to be compared. In the most common situation, when a template with enrollment purpose is being matched with a template with another purpose, the enrollment template has to be passed as this parameter.	
pVerificationTemplate	The second template to be compared. In the most common situation, when a template with enrollment purpose is being matched with a template with another purpose, the latter template has to be passed as this parameter.	
pResult	Output parameter to be set to result of the comparing. Set to ABS_TRUE if the two BIRs do match and ABS_FALSE if they do not.	
dwFlags	Reserved for future use. Set to zero.	
Return Value	ABS_STATUS	Result code. ABS_STATUS_OK (0) means success.



3.3.4. ABSCapture

```

ABS_STATUS ABSCapture(
    IN ABS_CONNECTION hConnection
    IN ABS_OPERATION *pOperation
    IN ABS_DWORD dwPurpose
    OUT ABS_BIR **ppCapturedTemplate
    IN ABS_DWORD dwFlags
)

```

Description	This function captures sample for the purpose specified and creates a new fingerprint template from it.	
Parameters		
hConnection	Handle to the connection to FM.	
pOperation	See description of ABS_OPERATION	
dwPurpose	<p>A value indicates a purpose of the biometric data capture. It can be either ABS_PURPOSE_ENROLL or ABS_PURPOSE_VERIFY. ABS_PURPOSE_UNDEFINED is not allowed.</p> <p>Note that calling ABSCapture() with dwPurpose set to ABS_PURPOSE_ENROLL is obsolete and it is functionally equivalent to calling ABSEnroll().</p>	
ppCapturedTemplate	Pointer which is set to newly allocated template. Caller is responsible to release the memory with ABSFree.	
dwFlags	<p>Bitmask specifying flags, which modify slightly behavior of the function.</p> <p>This function supports only flag ABS_FLAG_NOTIFICATION. If it is set, the verification operation does not show any GUI feedback until the finger is swiped. This can be useful for applications doing their own work; and only when user swipes, the application processes some special action. Until the user swipes, he is not disrupted with any dialog.</p> <p>Showing/hiding of the dialog is controlled by messages ABS_MSG_DLG_SHOW and ABS_MSG_DLG_HIDE.</p> <p>The flag ABS_FLAG_NOTIFICATION can be used only in case that dwPurpose is set to ABS_PURPOSE_VERIFY.</p>	
Return Value	ABS_STATUS	Result code. ABS_STATUS_OK (0) means success.



3.3.5. ABSCheckLatent

```
ABS_STATUS ABSCheckLatent(
    IN ABS_CONNECTION hConnection
    IN void *pReserved
    OUT ABS_BOOL *pboIsLatent
    IN ABS_DWORD dwFlags
)
```

Description	<p>Perform anti-latent check.</p> <p>Note that <code>ABSEnroll</code> and <code>ABSVerify</code> perform the check implicitly unless it is disabled with global parameter <code>ABS_PARAM_LATENT_CHECK</code>, so you should not call this function after <code>ABSVerify()</code> and <code>ABSEnroll()</code> after calling those functions (assuming the global parameter <code>ABS_PARAM_LATENT_CHECK</code> is turned on).</p> <p>See chapter 2.1.5 for more information how the anti-latent checking works.</p>	
Parameters		
<code>hConnection</code>	Handle to the connection to FM.	
<code>pReserved</code>	Reserved for future use. Set to NULL.	
<code>pboIsLatent</code>	Pointer to <code>ABS_BOOL</code> , where the result of the check is stored. It is set to <code>ABS_TRUE</code> , if the latest scanned finger was detected as a latent finger; <code>ABS_FALSE</code> otherwise.	
<code>dwFlags</code>	Reserved for future use. Set to zero.	
Return Value	<code>ABS_STATUS</code>	Result code. <code>ABS_STATUS_OK (0)</code> means success.



3.3.6. ABSNavigate

```
ABS_STATUS ABSNavigate(
    IN ABS_CONNECTION hConnection
    IN ABS_OPERATION *pOperation
    IN ABS_DWORD dwFlags
)
```

Description	<p>Switch FM to navigation mode (a.k.a. biometric mouse).</p> <p>Not all devices support this mode. If the navigation is not supported by the device, <code>ABS_STATUS_NOT_SUPPORTED</code> is returned. Please note there are few very old legacy devices where the navigation support is broken. With these devices, the function never sends <code>ABS_MSG_NAVIGATE_CHANGE</code> messages to the callback, making the navigation mode unusable.</p> <p>Remember that the function never returns <code>ABS_STATUS_OK</code> because it does not return until the function is canceled with <code>ABSCancelOperation</code> (or until an error occurs).</p>	
Parameters		
<code>hConnection</code>	Handle to the connection to FM.	
<code>pOperation</code>	See description of <code>ABS_OPERATION</code> .	
<code>dwFlags</code>	Reserved for future use. Set to zero.	
Return Value	<code>ABS_STATUS</code>	Result code.



3.4. Image Grabbing Functions

There are 4 functions for retrieving fingerprint image from the sensor, each having its advantages and disadvantages. Here we summarize their differences among the functions, in order to give you enough information to select the right one to fulfill your task.

Functions `ABSGrab` and `ABSGrabImage` are generally device independent, i.e. you don't need to have exact knowledge about what the device supports or not.

Functions `ABSRawGrab` and `ABSRawGrabImage` are device-dependent and allow lower-level tuning of the image scanning process, including image quality checks and other attributes to be tuned.

Function `ABSGrab` offers only very limited possibility to choose desired image format, by using or not using a flag `ABS_FLAG_HIGH_RESOLUTION`.

Function `ABSRawGrab` allows specifying the exact desired image format in a form of a record in grab profile. To use this, you have to know what image formats your device actually really supports. See documentation for `ABS_PKEY_IMAGE_FORMAT` constant and `ABS_IFMT_xxxx` constants for more details.

Functions `ABSGrabImage` and `ABSRawGrabImage` require that you describe the desired image format in a form of `ABS_IMAGE_FORMAT` structure. You can get list of supported formats with function `ABSListImageFormats`.

Functions `ABSGrab` and `ABSGrabImage` ask the user to swipe his finger until the resulted image passes some internal quality checks, i.e. there is some guaranty that you get image of real fingerprint.

In contrary, functions `ABSRawGrab` and `ABSRawGrabImage` return always after the first finger swipe. It's the caller's responsibility to check image quality and (if he desires so) to call the function again.

3.4.1. ABSGrab

```
ABS_STATUS ABSGrab(
    IN ABS_CONNECTION hConnection
    IN ABS_OPERATION *pOperation
    IN ABS_DWORD dwPurpose
    OUT ABS_IMAGE **ppImage
    IN ABS_DWORD dwFlags
)
```

Description	Grabs image sample from the FM. Please note that unless an error occurs or it is canceled with <code>ABSCancelOperation</code> , the grab operation is automatically repeated until an image of some minimal quality is provided.
Parameters	
<code>hConnection</code>	Handle to the connection to FM.
<code>pOperation</code>	See description of <code>ABS_OPERATION</code> .
<code>dwPurpose</code>	A value indicates a purpose of the biometric data capture. It can be any <code>ABS_PURPOSE_xxxx</code> constant.
<code>ppImage</code>	Functions set the pointer to newly allocated sample image. Use <code>ABSFree</code> to release the allocated memory.
<code>dwFlags</code>	Only flag <code>ABS_FLAG_HIGH_RESOLUTION</code> is supported.



Return Value	ABS_STATUS	Result code. ABS_STATUS_OK (0) means success.
---------------------	------------	---

3.4.2. ABSRawGrab

```

ABS_STATUS ABSRawGrab(
    IN ABS_CONNECTION hConnection
    IN ABS_OPERATION *pOperation
    IN ABS_DWORD dwProfileSize
    IN ABS_PROFILE_DATA *pProfileData
    OUT ABS_IMAGE **ppImage
    OUT ABS_SWIPE_INFO **ppSwipeInfo
    IN ABS_DWORD dwFlags
)

```

Description	<p>Grabs image sample from the FM. This function is similar to ABSGrab, but it is more low level.</p> <p>It allows specifying of some special tuning parameters, thus tuning of the grab operation for specific purposes is possible. Those flags can specify what quality checks should be run, desired image format and other options.</p> <p>Please note that all these options are device specific. Various device models tune various aspects of the grab operations, to various degrees. Please prefer ABSGrab or ABSGrabImage whenever possible.</p> <p>Unlike ABSGrab this function waits for just one swipe and ends even if the resulting image has low quality. The caller can use the output parameters to further inspect quality of the resulted sample image.</p>
Parameters	
hConnection	Handle to the connection to FM.
pOperation	See description of ABS_OPERATION.
dwProfileSize	Determines how many properties are in pProfileData.
pProfileData	<p>Pointer to first member of profile data array.</p> <p>See description of ABS_PROFILE_DATA type for more information about the profile.</p>
ppImage	<p>Functions to set the pointer to newly allocated sample image.</p> <p>Use ABSFree to release the allocated memory.</p>
ppSwipeInfo	<p>If used (i.e. not set to NULL), an additional information about the swipe are provided to the caller.</p> <p>Use ABSFree to release the returned memory block. See description of ABS_SWIPE_INFO for more information.</p>



dwFlags	<p>Bitmask specifying flags, which modify slightly behavior of the function. Only flag ABS_FLAG_STRICT_PROFILE is supported.</p> <p>By default the profile data are respected to the degree possible i.e. those which are not supported by the device are silently ignored. In contrast, if flag ABS_FLAG_STRICT_PROFILE is set, the profile data is interpreted in a more strict way and the function returns ABS_STATUS_NOT_SUPPORTED if any specified requested tuning parameter or its particular value is not supported.</p> <p>Please note that requested image format (ABS_PKEY_IMAGE_FORMAT) is always interpreted in the strict way, i.e. the caller has to know which image formats are supported by the FM he uses.</p>	
Return Value	ABS_STATUS	Result code. ABS_STATUS_OK (0) means success.

3.4.3. ABSListImageFormats

```

ABS_STATUS ABSListImageFormats(
    IN ABS_CONNECTION hConnection
    OUT ABS_DWORD *pdwCount
    OUT ABS_IMAGE_FORMAT **ppImageFormatList
    IN ABS_DWORD dwFlags
)

```

Description	<p>Retrieves list of image formats supported by the FM.</p> <p>Functions ABSGrabImage and ABSRawGrabImage takes image format in the form of ABS_FORMAT_IMAGE as their parameter.</p>	
Parameters		
hConnection	Handle to the connection to FM.	
pdwCount	Count of image formats returned.	
ppImageFormatList	Newly allocated array of image format structures is stored into this pointer. Use ABSFree to release the memory.	
dwFlags	Reserved for future use. Set to zero.	
Return value	ABS_STATUS	Result code. ABS_STATUS_OK (0) means success.



3.4.4. ABSGrabImage

```

ABS_STATUS ABSGrabImage(
    IN ABS_CONNECTION hConnection
    IN ABS_OPERATION *pOperation
    IN ABS_DWORD dwPurpose
    IN ABS_IMAGE_FORMAT *pImageFormat
    OUT ABS_IMAGE **ppImage
    OUT ABS_SWIPE_INFO **ppSwipeInfo
    IN void *pReserved
    IN ABS_DWORD dwFlags
)
    
```

Description	Grabs image sample from the FM. Please note that unless an error occurs or it is canceled with <code>ABSCancelOperation</code> , the grab operation is automatically repeated until an image of some minimal quality is provided.	
Parameters		
<code>hConnection</code>	Handle to the connection to FM.	
<code>pOperation</code>	See description of <code>ABS_OPERATION</code> .	
<code>dwPurpose</code>	A value indicates a purpose of the biometric data capture. It can be any <code>ABS_PURPOSE_XXXXX</code> constant.	
<code>pImageFormat</code>	Pointer to structure describing desired image format. TODO	
<code>ppImage</code>	Functions set the pointer to newly allocated sample image. Use <code>ABSFree</code> to release the allocated memory.	
<code>ppSwipeInfo</code>	If used (i.e. not set to <code>NULL</code>), an additional information about the swipe is provided to the caller. Use <code>ABSFree</code> to release the returned memory block. See description of <code>ABS_SWIPE_INFO</code> for more information.	
<code>pReserved</code>	Reserved for future use. Set to <code>NULL</code> .	
<code>dwFlags</code>	Reserved for future use. Set to zero.	
Return Value	<code>ABS_STATUS</code>	Result code. <code>ABS_STATUS_OK (0)</code> means success.



3.4.5. ABSRawGrabImage

```
ABS_STATUS ABSRawGrabImage(
    IN ABS_CONNECTION hConnection
    IN ABS_OPERATION *pOperation
    IN ABS_DWORD dwProfileSize
    IN ABS_PROFILE_DATA *pProfileData
    IN ABS_IMAGE_FORMAT *pImageFormat
    OUT ABS_IMAGE **ppImage
    OUT ABS_SWIPE_INFO **ppSwipeInfo
    IN void *pReserved
    IN ABS_DWORD dwFlags
)
```

<p>Description</p>	<p>Grabs image sample from the FM. This function is similar to ABSGrabImage, but it is more low level.</p> <p>It specifies some special tuning parameters, thus tuning of the grab operation for specific purposes is possible. Those flags can specify what quality checks should be run and other options.</p> <p>Please note that all these options are device specific. Various device models tunes various aspects of the grab operations, to various degree. Prefer ABSGrab or ABSGrabImage whenever possible.</p> <p>Unlike ABSGrabImage this function waits for just one swipe and ends even if the resulting image has low quality. The caller can use the output parameters to further inspect quality of the resulted sample image.</p> <p>Note that if the grab profile uses key ABS_PKEY_IMAGE_FORMAT, it is ignored, as this function always uses the format as specified by pImageFormat parameter.</p>
<p>Parameters</p>	
<p>hConnection</p>	<p>Handle to the connection to FM.</p>
<p>pOperation</p>	<p>See description of ABS_OPERATION.</p>
<p>dwProfileSize</p>	<p>Determines how many properties are in pProfileData.</p>
<p>pProfileData</p>	<p>Pointer to first member of profile data array.</p> <p>See description of ABS_PROFILE_DATA type for more information about the profile.</p>
<p>pImageFormat</p>	<p>Pointer to structure describing desired image format.</p>
<p>ppImage</p>	<p>Functions set the pointer to newly allocated sample image.</p> <p>Use ABSFree to release the allocated memory.</p>



ppSwipeInfo	<p>If used (i.e. not set to NULL), an additional information about the swipe are provided to the caller.</p> <p>Use ABSFree to release the returned memory block. See description of ABS_SWIPE_INFO for more information.</p>	
pReserved	Reserved for future use. Set to NULL.	
dwFlags	<p>Bitmask specifying flags, which modify slightly, the behavior of the function. Only flag ABS_FLAG_STRICT_PROFILE is supported.</p> <p>By default the profile data are respected to the degree possible i.e. those which are not supported by the device are silently ignored. In contrast, if flag ABS_FLAG_STRICT_PROFILE is set, the profile data is interpreted in a more strict way and the function returns ABS_STATUS_NOT_SUPPORTED if any specified requested tuning parameter or its particular value is not supported.</p> <p>Please note that requested image format (ABS_PKEY_IMAGE_FORMAT) is always interpreted in the strict way, i.e. the caller has to know which image formats are supported by the FM he uses.</p>	
Return Value	ABS_STATUS	Result code. ABS_STATUS_OK (0) means success.



3.5. Miscellaneous Functions

3.5.1. ABSCancelOperation

```
ABS_STATUS ABSCancelOperation(
    IN ABS_CONNECTION hConnection
    IN ABS_DWORD dwOperationID
)
```

Description	Cancels a running interactive operation. Function of the canceled operation returns ABS_STATUS_CANCELED.	
Parameters		
hConnection	Handle to the connection to FM.	
dwOperationID	ID of the operation to be canceled, or zero to cancel the currently processed operation in the current thread. I.e. zero can be used from callback to cancel operation which called the callback. It is the only way how to cancel interactive operations which have OperationID set to zero. See description of member OperationID of structure ABS_OPERATION for more information.	
Return Value	ABS_STATUS	Result code. ABS_STATUS_OK (0) means success.

3.5.2. ABSSetAppData

```
ABS_STATUS ABSSetAppData(
    IN ABS_CONNECTION hConnection
    IN ABS_DATA *pAppData
)
```

Description	Stores arbitrary data on the FM. The data can be later retrieved with function ABSGetAppData. The data survive across BSAPI sessions, until the data are overwritten by next call to this function. Note that maximal length of the data is limited. The limit is device model dependent.	
Parameters		
hConnection	Handle to the connection to FM.	
pAppData	The data to be stored on the device.	
Return Value	ABS_STATUS	Result code. ABS_STATUS_OK (0) means success.



3.5.3. ABSGetAppData

```
ABS_STATUS ABSGetAppData(
    IN ABS_CONNECTION hConnection
    OUT ABS_DATA **ppAppData
)
```

Description	Retrieves the data stored on the FM. See also description of function SetAppData.	
Parameters		
hConnection	Handle to the connection to FM.	
ppAppData	Output parameter, to be set to the newly allocated structure ABS_DATA. Use ABSFree to release the allocated memory.	
Return Value	ABS_STATUS	Result code. ABS_STATUS_OK (0) means success.

3.5.4. ABSSetSessionParameter

```
ABS_STATUS ABSSetSessionParameter(
    IN ABS_CONNECTION hConnection
    IN ABS_DWORD dwParamID
    IN ABS_DATA *pParamValue
)
```

Description	Sets value of session-wide parameter. These settings influence behavior of certain BSAPI functions called in context of the current session. Please note that in the current version all parameters are global and can be set only with ABSSetGlobalParameter(). Therefore this functions returns ABS_STATUS_INVALID_PARAMETER as it does not support any dwParamID value currently.	
Parameters		
hConnection	Handle to the connection to FM.	
dwParamID	ID of the parameter to set. See description of ABS_PARAM_xxxx constants.	
pParamValue	Parameter value. Format and meaning of the data is parameter dependent. See description of particular ABS_PARAM_xxxx constant, you use as dwParamID for more information.	
Return Value	ABS_STATUS	Result code. ABS_STATUS_OK (0) means success.



3.5.5. ABSGetSessionParameter

```
ABS_STATUS ABSGetSessionParameter(
    IN ABS_CONNECTION hConnection
    IN ABS_DWORD dwParamID
    OUT ABS_DATA **ppParamValue
)
```

Description	Retrieves value of session-wide parameter. Please note that in the current version all parameters are global and can be set only with ABSSetGlobalParameter(). Therefore this function returns ABS_STATUS_INVALID_PARAMETER as it does not support any dwParamID value currently.	
Parameters		
hConnection	Handle to the connection to FM.	
dwParamID	ID of the parameter to set. See description of ABS_PARAM_xxxx constants.	
pParamValue	Output parameter for the retrieved value. The function sets it to point to newly allocated ABS_DATA. Use ABSFree to release the memory. See description of ABS_PARAM_xxxx constants for meaning of particular values.	
Return Value	ABS_STATUS	Result code. ABS_STATUS_OK (0) means success.

3.5.6. ABSSetGlobalParameter

```
ABS_STATUS ABSSetGlobalParameter(
    IN ABS_DWORD dwParamID
    IN ABS_DATA *pParamValue
)
```

Description	Sets value of global-wide parameter. These settings influence behavior of certain BSAPI functions. Unlike ABSSetSession-Parameter, the settings apply to all BSAPI functions called in a context of the process, despite the current session.	
Parameters		
dwParamID	ID of the parameter to set. See description of ABS_PARAM_xxxx constants.	
pParamValue	Parameter value. Format and meaning of the data is parameter dependent. See description of particular ABS_PARAM_xxx constant, you use as dwParamID for more information.	



Return Value	ABS_STATUS	Result code. ABS_STATUS_OK (0) means success.
---------------------	------------	---

3.5.7. ABSGetGlobalParameter

```
ABS_STATUS ABSGetGlobalParameter(
    IN ABS_DWORD dwParamID
    OUT ABS_DATA **ppParamValue
)
```

Description	Retrieves value of global-wide parameter.	
Parameters		
dwParamID	ID of the parameter to retrieve. See description of ABS_PARAM_XXXX constants.	
pParamValue	Output parameter for the retrieved value. The function sets it to point to newly allocated ABS_DATA. Use ABSFree to release the memory. See description of ABS_PARAM_XXXX constants for meaning of particular values.	
Return Value	ABS_STATUS	Result code. ABS_STATUS_OK (0) means success.

3.5.8. ABSSetLED

```
ABS_STATUS ABSSetLED(
    IN ABS_CONNECTION hConnection
    IN ABS_DWORD dwMode
    IN ABS_DWORD dwLED1
    IN ABS_DWORD dwLED2
)
```

Description	This function allows the application to control the state and behavior of the two user interface LEDs, which can be optionally connected to the FM.	
Parameters		
hConnection	Handle to the connection to FM.	
dwMode	Mode of the LEDs. Different modes define different behaviors of the LEDs during specific operations, especially the biometrics. When set to zero, the LEDs operate in a manual mode. The manual mode allows the host application to directly control the state of the LEDs, including setting various types of blinking. Other values (and whether they are or are not supported) are device- dependent.	



dwLED1	<p>Parameter defining the detailed behavior of the 1st LED.</p> <p>This parameter is mode-specific.</p> <p>For the manual mode (<code>dwMode = 0</code>) the value is interpreted as bit mask with the following meaning:</p> <ul style="list-style-type: none"> • Bits 0-15: Blinking pattern. The device iterates over the bits (one bit in one clock tick as determined by bits 16-19, see below) and turns the LED on (bit value is 1) or off (bit value is 0). Bit 0 is displayed first, Bit 1 in the next clock tick etc. • Bits 16-19: Blinking clock duration exponent. Value 0 stops the blinking, value 1 = 1 msec per a pattern bit, value 2 = 2 msec per a pattern bit, value 3 = 4 msec per a pattern bit, ... value 15 = 16384 sec per a pattern bit (value $N = 2^{N-1}$ msec per a pattern bit). <p>To switch a LED permanently ON, use a pattern "all ones". To switch a LED permanently OFF, use a pattern "all zeros".</p>	
dwLED2	<p>Parameter defining the detailed behavior of the 2nd LED.</p> <p>This parameter is mode-specific.</p> <p>For the manual mode (<code>dwMode = 0</code>), the meaning is the same as for dwLED1.</p>	
Return Value	ABS_STATUS	Result code. ABS_STATUS_OK (0) means success.
Remarks	<p>The default status of LEDs after FM boot is a manual mode (<code>dwMode = 0</code>), with both LEDs off. When a connection (session) is closed, the LEDs will keep the last status they had. If the LEDs were blinking, they will keep blinking.</p> <p>The consequence of the previous point is that at the beginning of a connection, the status of LEDs can vary. The host application should call ABSGetLED/ABSSetLED to determine and/or define the LED status.</p> <p>When FM enters a deep sleep or standby, the LEDs will be turned off for the duration of sleep. After wakeup the LEDs will resume the status they had before the sleep (including the blinking).</p>	

3.5.9. ABSGetLED

```

ABS_STATUS ABSGetLED(
    IN ABS_CONNECTION hConnection
    OUT ABS_DWORD *dwMode
    OUT ABS_DWORD *dwLED1
    OUT ABS_DWORD *dwLED2
)

```



Description	<p>This function allows the application to query the state and behavior of the two user interface LEDs, which can be optionally connected to the FM.</p> <p>For more information about the topic, see also documentation of function <code>ABSSetLED</code>.</p>	
Parameters		
<code>hConnection</code>	Handle to the connection to FM.	
<code>dwMode</code>	Returns a mode of the LEDs. See description of <code>ABSSetLED()</code> for more detailed description.	
<code>dwLED1</code>	Returns a value defining the detailed behavior of the 1st LED. See description of <code>ABSSetLED()</code> for more detailed description.	
<code>dwLED2</code>	Returns a value defining the detailed behavior of the 2nd LED. See description of <code>ABSSetLED()</code> for more detailed description.	
Return value	<code>ABS_STATUS</code>	Result code. <code>ABS_STATUS_OK (0)</code> means success.
Remarks	<p><code>ABSGetLED</code> returns the LED status as set by the latest call to <code>ABSSetLED</code>.</p> <p>In the manual mode (<code>dwMode == 0</code>), if the LEDs are blinking, the returned values do not contain information about which phase of the bit pattern the LEDs are in.</p>	



3.5.10. ABSBinarizeSampleImage

```
ABS_STATUS ABSBinarizeSampleImage(
    INOUT ABS_IMAGE *pGrayScaleImage
    OUT ABS_IMAGE **ppBinarizedImage
)
```

Description	<p>The function converts gray-scale image (as obtain from callback, ABSGrab or ABSRawGrab) to binarized form, with only two colors.</p> <p>I.e. the binarized image sample has ColorCount set to 2. The two colors are then interpreted as black (1) and white (0). The binarized image is more suitable for displaying to the end-user because it usually looks better.</p> <p>Note that the conversion can be taken in-place or to newly allocated image structure depending if you set the parameter ppBinarizedImage to NULL or not.</p>	
Parameters		
pGrayScaleImage	<p>Pointer to the input, gray-scale image structure.</p> <p>Please note that this function does not support all image formats. Only formats having 8 bits per pixel (ABS_IMAGE::ColorCount == 256) and having resolution 381x381 DPI or 508x508 DPI.</p> <p>If the ppBinarizedImage is NULL, then the content of this structure is modified in-place.</p>	
ppBinarizedImage	<p>Optional output parameter for retrieving the new, binarized sample image.</p> <p>If non-NULL, the converted image sample will be placed in newly allocated buffer pointed by this output parameter. Caller is then responsible for releasing the memory with ABSFree.</p> <p>If NULL, the original image pGrayScaleImage will be converted in-place.</p>	
Return Value	ABS_STATUS	Result code. ABS_STATUS_OK (0) means success.



3.5.11. ABSGetLastErrorInfo

```
void ABSGetLastErrorInfo(
    OUT ABS_DWORD *pErrorCode
    OUT const ABS_CHAR **ppErrorMessage
)
```

Description	Retrieves additional information about last BSAPI error, which occurred in the current thread. Please note that information provided by this function is not intended to be displayed to the end user. The error messages are in English (they are never localized) and they are meant as a hint for developers to make problem diagnosis easier.
Parameters	
pErrorCode	Output parameter set to additional system dependent error code. Depending on system it might be error or value returned by <code>GetLastError</code> on Windows platforms or any other error code. It might give developer a hint what's going wrong.
ppErrorMessage	On output this is set to point to a buffer containing zero-terminated string with textual message. If no message is provided, it points to empty string so the caller does not need check it for NULL. The buffer is managed by BSAPI; do not use <code>ABSFree</code> to release it. Note that the buffer is valid only until other BSAPI call is performed in the same thread. After the next call, the buffer may be released or reused by BSAPI. If you need to remember the message, you have to copy it into your own buffer.

3.5.12. ABSEscape

```
ABS_STATUS ABSEscape(
    IN ABS_DWORD dwOpcode
    IN ABS_DATA *pInData
    OUT ABS_DATA **ppOutData
)
```

Description	Requests special function to be processed.
Parameters	
dwOpcode	Code of operation to perform. No codes are currently supported. I.e. in this BSAPI version, calling this function always fails.



pInData	Input data, passed to the function requested by dwOpcode. Format of the data depends on dwOpcode. Can be NULL if the dwOpcode does not require any input data.	
ppOutData	Data passed back to the caller, as a result of the operation. Can be set to NULL if no data are passed back.	
Return Value	ABS_STATUS	Result code. ABS_STATUS_OK (0) means success.



4.0. BSGUI.DLL Functions

4.1. Using BSGUI.DLL

BSGUI.DLL provides a default ABS_CALLBACK implementation for BSAPI.DLL.

To use the default callback implementation, link your application with both BSAPI.DLL and BSGUI.DLL. Therefore, whenever any interactive operation is started, set member Callback of structure ABS_OPERATION to pointer to function ABSDefaultCallback from BSGUI.DLL.

When installing the application, file BSGUI.ZIP must be placed to the same directory as the BSGUI.DLL.

Please note that BSGUI.DLL is available only for Windows platform.

4.2. GUI Customization

The BSGUI.DLL library loads graphics from file BSGUI.ZIP.

If you want to customize look and feel of the dialogs provided by BSGUI.DLL, replace some or all images in the BSGUI.ZIP file and, if necessary, change also layout in BIO.XML inside the BSGUI.ZIP.

4.3. Default Callback Implementation

4.3.1. ABSDefaultCallback

```
void ABSDefaultCallback(
    IN const ABS_OPERATION *pOperation
    IN ABS_DWORD dwMsgID
    IN void *pMsgData
)
```

<p>Description</p>	<p>Default BSAPI callback implementation.</p> <p>It provides default implementation of callback, which can be passed into BSAPI interactive functions via ABS_OPERATION structure. Using this callback instead of your own implementation provides consistent look and feel across applications.</p> <p>You should never call this function directly. It's intended only to pass pointer to the function into the BSAPI functions as member Callback of structure ABS_OPERATION.</p> <p>For more information, see the documentation of type ABS_CALLBACK and structure ABS_OPERATION.</p>
<p>Parameters</p>	
<p>pOperation</p>	<p>Pointer to ABS_OPERATION structure used when calling the interactive biometric operation.</p> <p>The caller of the interactive operation can use member Context of the structure to pass data into the default callback. ABSDefaultCallback expects the data in the form of ABS_DEFAULT_CALLBACK_CONTEXT structure.</p> <p>The Context pointer can be set to NULL. In that case, default behavior is used.</p>
<p>dwMsgID</p>	<p>ID of message. See description of ABS_MSG_XXXX constants.</p>



pMsgData	Pointer to data with additional information related with the message. Its meaning is message-dependent. Refer to documentation of specific ABS_MSG_xxxx constants.
----------	---



4.4. ABS_DEFAULT_CALLBACK_CONTEXT

Structure to be optionally passed as a context data into ABSDefaultCallback.

This allows tuning of exact behavior of the default callback implementation. To use it, setup the structure members and set Context of ABS_OPERATION to address of the structure.

The caller of the biometric operation must guarantee that the pointer to the structure, passed in through ABS_OPERATION structure, remains valid until the biometric operation is over.

```
typedef struct abs_default_callback_context {
    ABS_DWORD Version;
    HWND ParentWindow;
    ABS_DWORD Flags;
} ABS_DEFAULT_CALLBACK_CONTEXT
```

Description	
Version	Version of the structure. Set to 1.
ParentWindow	Set to handle of parent window or NULL. When set to NULL, actually active window is used as the parent window.
Flags	Bitmask of flags. Currently only flag ABS_DEFAULT_CALLBACK_FLAG_ENABLE_SOUND is supported.

4.5. Flags for ABS_DEFAULT_CALLBACK_CONTEXT (ABS_Default_CALLBACK_FLAG_xxxx)

The following flag can be used in structure ABS_DEFAULT_CALLBACK_CONTEXT.

ABS_DEFAULT_CALLBACK_FLAG_ENABLE_SOUND	0x1
Enables the callback to play a sound on success.	



5.0. Declarations

5.1. Basic Types

typedef Signed integer type (1 byte)	char	ABS_CHAR
typedef Unsigned integer type (1 byte)	unsigned char	ABS_BYTE
typedef Signed integer type (2 bytes)	short	ABS_SHORT
typedef Unsigned integer type (2 bytes)	unsigned short	ABS_WORD
typedef Signed integer type (4 bytes)	int	ABS_LONG
typedef Unsigned integer type (4 bytes)	insigned int	ABS_DWORD
typedef Boolean value (zero, non-zero)	int	ABS_BOOL
typedef Return status	ABS_LONG	ABS_STATUS
typedef Connection handle. It represents a session with FM.	ABS_DWORD	ABS_CONNECTION

5.2. Specific Types

5.2.1. ABS_DATA

The ABS_DATA structure is used to associate any arbitrary long data block with the length information.

```
typedef struct abs_data {
    ABS_DWORD Length;
    ABS_BYTE Data[ABS_VARLEN];
} ABS_DATA
```

Description	
Length	Length of the Data field in bytes.
Data[ABS_VARLEN]	The data itself, variable length.



5.2.2. ABS_BIR_HEADER

This is the header of the BIR. This type is equivalent to BioAPI's structure `BioAPI_BIR_HEADER`.

In the typical use the BIR is handled as an opaque data, it is not necessary to know the structure of its header. However, we document it here for completeness. The values provided below are the standard values used in BIRs produced by the FM.

Please refer to BioAPI documentation for details.

Note that all members of the `ABS_BIR_HEADER` are always in little-endian byte order. This has two important impacts:

- The template has exactly same binary representation, when stored to some storage or database, so they may be used on all platforms despite byte order the platform uses.
- When using values of the structure, you must convert the values to the natural byte order of the platform you use.

```
typedef struct abs_bir_header {
    ABS_DWORD Length;
    ABS_BYTE HeaderVersion;
    ABS_BYTE Type;
    ABS_WORD FormatOwner;
    ABS_WORD FormatID;
    ABS_CHAR Quality;
    ABS_BYTE Purpose;
    ABS_DWORD FactorsMask;
} ABS_BIR_HEADER
```

Description	
Length	Length of Header + Opaque Data
HeaderVersion	HeaderVersion = 1
Type	Type = 4 (BioAPI_BIR_DATA_TYPE_PROCESSED)
FormatOwner	FormatOwner = 0x12 (STMicroelectronics)
FormatID	FormatID = 0
Quality	Quality = -2 (BioAPI_QUALITY is not supported)
Purpose	Purpose (BioAPI_PURPOSE_XXXX, ABS_PURPOSE_XXXX). The corresponding BioAPI and BSAPI constants have the same values.
FactorsMask	FactorsMask = 0x08 (BioAPI_FACTOR_FINGERPRINT)



5.2.3. ABS_BIR

This is a container for biometric data.

The abbreviation BIR stands for Biometric Identification Record. In BSAPI it represents a fingerprint template, but potentially can contain other data as well, e.g. audit data. BIR consists of a header, followed by the opaque data and optionally by a signature. This type is binary compatible with BioAPI's BioAPI_BIR. The only difference is that in BioAPI_BIR the data is divided into four separate memory blocks, while ABS_BIR keeps all the data together.

```
typedef struct abs_bir {
    ABS_BIR_HEADER Header;
    ABS_BYTE Data[ABS_VARLEN];
} ABS_BIR
```

Description	
Header	BIR header
Data[ABS_VARLEN]	The data composing the fingerprint template.



5.2.4. ABS_OPERATION

Holds common data used by all interactive operation functions.

```
typedef struct abs_operation {
    ABS_DWORD OperationID;
    void* Context;
    ABS_CALLBACK Callback;
    ABS_LONG Timeout;
    ABS_DWORD Flags;
} ABS_OPERATION
```

Description	
OperationID	<p>Unique operation ID or zero.</p> <p>When set to non-zero, the value identifies the operation. You can then use the ID to cancel the operation with <code>ABSCancelOperation</code>, even from other thread. Please note that it's the caller's responsibility to assign the IDs so that in the context of one session no concurrent interactive operation (i.e. in other thread) has the same value. Otherwise the operation fails immediately with <code>ABS_STATUS_INVALID_PARAMETER</code>.</p> <p>If set to zero, you can cancel the operation only from its callback (passing a zero as the parameter for <code>ABSCancelOperation</code>).</p>
Context	<p>User defined pointer, passed into the operation callback.</p> <p>BSAPI does not interpret nor dereferences the pointed data in any way.</p>
Callback	<p>Pointer to application-defined function, implementing operation callback.</p> <p>This allows application developers to provide user interface which informs user how the operation processes and prompts him to do something, e.g. put his finger on the FM sensor.</p> <p>See documentation of <code>ABS_CALLBACK</code> for more detailed information.</p>
Timeout	<p>Timeout of user's inactivity in milliseconds</p> <p>If the interactive operation expects some user's activity and it's not detected for the time specified, the operation is interrupted and the operation function returns <code>ABS_STATUS_TIMEOUT</code>.</p> <p>Value 0 denotes no timeout (user's inactivity does not cause the operation to be interrupted). Value -1 denotes to use the default timeout (device dependent).</p>
Flags	<p>Bitmask of flags, tuning the operation process.</p> <p>See description of constants <code>ABS_OPERATION_FLAG_xxxx</code> for more information.</p>



5.2.5. ABS_PROFILE_DATA

Profile data for tuning raw grab operation (ABSRawGrab).

This allows setting of various special modes and attributes of the raw grab, including various FM dependent ones.

Function ABSRawGrab takes pointer to array of structure ABS_PROFILE_DATA. (Other parameter specifies number of items in the profile array.) Each record in the array is composed of key-value pair.

The key specifies what attribute/parameter of the raw grab operation to tune and the value specifies how to tune that attribute/parameter. Meaning of the value and range of accepted values depends on the particular key and capabilities of the FM.

```
typedef struct abs_profile_data {
    ABS_DWORD Key;
    ABS_DWORD Value;
} ABS_PROFILE_DATA
```

Description	
Key	Profile key. It can be any constant ABS_PKEY_XXXX
Value	Value, key dependent.

5.2.6. ABS_SWIPE_INFO

This structure provides various information about the swipe, from ABSRawGrab, ABSGrabImage or ABSRawGrabImage functions.

Please note that in the future version of BSAPI, the ABSRawGrab can return the information about the swipe in other format defined by this structure. See description of ABSRawGrab and its parameter ppSwipeInfo for more information.

```
typedef struct abs_swipe_info {
    ABS_DWORD Version;
    ABS_WORD Height;
    ABS_BYTE ReconstructionScore;
    ABS_BYTE ImageScore;
    ABS_DWORD MsgID;
    ABS_DWORD Flags;
    ABS_DWORD BackgroundColor;
} ABS_SWIPE_INFO
```

Description	
Version	Version of the structure. Current version is 1. I.e. if the first four bytes of the returned data is not 1, you cannot interpret the rest of the other data as structure SWIPE_INFO.
Height	Height of the fingerprint image in pixels.
ReconstructionScore	Reconstruction quality score, in range 0 - 100. The higher the value, the higher the quality of the image reconstruction.



ImageScore	Image quality score, in range 0 - 100. The higher the value, the higher the quality of the resulted image.
MsgID	Quality feedback message ID. Depending on the settings of the raw grab profile, various tests quality checks can be processed during the raw grab operation. If all the tests pass successfully (or if all of them are disabled) MsgId is set to ABS_MSG_PROCESS_SUCCESS. If any quality check failed, the value is set to the most important/relevant callback message ID (see constants ABS_MSG_QUALITY_xxxx).
Flags	Bitmask indicating various aspects of the swipe. See constants ABS_SWIPE_FLAG_xxxx.
BackgroundColor	Background color in the swiped sample image. Exact color depends on the sample image the ABS_SWIPE_INFO is related to. Value of 0 means black color, value (ABS_IMAGE::ColorCount - 1) means white color. Other grayscale colors are spread between black and white. If the background color could not be determined, BackgroundColor is set to 0xFFFFFFFF.

5.2.7. ABS_IMAGE_FORMAT

Type `ABS_IMAGE_FORMAT` describes desired image format for functions `ABSGrabImage` and `ABSRawGrabImage`.

Use function `ABSListImageFormats` to retrieve list of available formats.

The resolution is always in DPI (dots per inch). Scan resolution is a resolution of the sensor during the scan. Image resolution is resolution of the resulted image. They are the same unless the sensor subsamples the scanned image or when the information about sub sampling is not available for the given piece of hardware.

```
typedef struct abs_image_format {
    ABS_WORD ScanResolutionH;
    ABS_WORD ScanResolutionV;
    ABS_WORD ImageResolutionH;
    ABS_WORD ImageResolutionV;
    ABS_BYTE ScanBitsPerPixel;
    ABS_BYTE ImageBitsPerPixel;
} ABS_IMAGE_FORMAT
```

Description	
ScanResolutionH	Horizontal scan resolution, in dots per inch (DPI).
ScanResolutionV	Vertical scan resolution, in dots per inch (DPI).
ImageResolutionH	Horizontal resolution of resulted image, in dots per inch (DPI).



ImageResolutionV	Vertical resolution of resulted image, in dots per inch (DPI).
ScanBitsPerPixel	Scan bits per pixel.
ImageBitsPerPixel	Bits per pixel of resulted image. If this value is N, the resulted ABS_IMAGE::ColorCount is Nth power of two.

5.2.8. ABS_IMAGE

Type ABS_IMAGE holds data representing one sample image of swiped finger.

Functions ABSCapture, ABSGrab and ABSRawGrab use this structure. Also certain messages sent to ABS_CALLBACK can have sample image in form of this structure passed as additional data.

```
typedef struct abs_image {
    ABS_DWORD Width;
    ABS_DWORD Height;
    ABS_DWORD ColorCount;
    ABS_DWORD HorizontalDPI;
    ABS_DWORD VerticalDPI;
    ABS_BYTE ImageData[ABS_VARLEN];
} ABS_IMAGE
```

Description	
Width	Width of the image in pixels
Height	Height of the image in pixels
ColorCount	Maximal color count of the image
HorizontalDPI	Horizontal resolution of the image (dots per inch)
VerticalDPI	Vertical resolution of the image (dots per inch)
ImageData[ABS_VARLEN]	<p>Color values of all pixels.</p> <p>ImageData is an array of (Width * Height) bytes. Each pixel is represented by one byte. First (Width) bytes represent first row of pixels (from left to right ordering) and the subsequent row follows one by one without any gaps.</p> <p>Value of each byte denotes a grayscale color. Colors are numbered, 0 meaning black and (colorCount - 1) meaning white. Other gray colors are linearly spread in the range between black and white.</p>



5.2.9. ABS_PROCESS_DATA

This structure is a container for additional data associated with ABS_MSG_PROCESS_XXXX messages sent to callback of an interactive operation.

Note that some message ABS_MSG_PROCESS_XXXX use more specific structure, however all are binary compatible with ABS_PROCESS_DATA i.e. pointer to them can be safely cast to pointer to ABS_PROCESS_DATA.

```
typedef struct abs_process_data {
    ABS_DWORD ProcessID;
} ABS_PROCESS_DATA
```

Description	
Process ID	ID of process stage. See ABS_PROCESS_XXXX constants.

5.2.10. ABS_PROCESS_BEGIN_DATA

This structure is a container for additional data associated with ABS_MSG_PROCESS_BEGIN message sent to callback of an interactive operation.

```
typedef struct abs_process_begin_data {
    ABS_DWORD ProcessID;
    ABS_DWORD Step;
    ABS_DWORD StepCount;
} ABS_PROCESS_BEGIN_DATA
```

Description	
Process ID	ID of process stage. See ABS_PROCESS_XXXX constants.
Step	Step number. Some operations are composed of multiple steps, e.g. consolidated enrollment where user has to swipe multiple times. First step is always marked with zero.
StepCount	Count of child steps of this process. If the count is not known (e.g. in the case of dynamic enrollment), then it is set to zero.

5.2.11. ABS_PROCESS_PROGRESS_DATA

This structure is a container for additional data associated with ABS_MSG_PROCESS_PROGRESS message sent to callback of an interactive operation.

```
typedef struct abs_process_progress_data {
    ABS_DWORD ProcessID;
    ABS_DWORD Percentage;
} ABS_PROCESS_PROGRESS_DATA
```

Description	
Process ID	ID of process stage. See ABS_PROCESS_XXXX constants.



Percentage	Determines percentage of the process completeness. The value is in the range 0 - 100. If the percentage is not applicable to the process, it is set to 0xffffffff.
------------	--

5.2.12. ABS_PROCESS_SUCCESS_DATA

This structure is a container for additional data associated with ABS_MSG_PROCESS_SUCCESS message sent to callback of an interactive operation.

```
typedef struct abs_process_success_data {
    ABS_DWORD ProcessID;
    ABS_IMAGE* SampleImage;
    ABS_BIR* Template;
} ABS_PROCESS_SUCCESS_DATA
```

Description	
Process ID	ID of process stage. See ABS_PROCESS_XXXX constants.
SampleImage	Pointer to scanned image. Can be NULL if no image is associated with the message.
Template	Pointer to processed template. Can be NULL if no template is associated with the message.

5.2.13. ABS_NAVIGATION_DATA

This structure is a container for additional data associated with ABS_MSG_NAVIGATE_CHANGE message sent to callback of an interactive operation.

```
typedef struct abs_navigation_data {
    ABS_LONG DeltaX;
    ABS_LONG DeltaY;
    ABS_BOOL FingerPresent;
} ABS_NAVIGATION_DATA
```

Description	
DeltaX	Change of the virtual pointer's coordinates, in the horizontal direction.
DeltaY	Change of the virtual pointer's coordinates, in the vertical direction.
FingerPresent	ABS_TRUE if finger is present on the sensor, ABS_FALSE otherwise.

5.2.14. ABS_DEVICE_LIST_ITEM

Item of the device info list

```
typedef struct abs_device_list_item {
    ABS_CHAR DsnSubString[260];
    ABS_BYTE reserved[256];
} ABS_DEVICE_LIST_ITEM
```



Description	
DsnSubString[260]	String usable as part of DSN for ABSOpen to connect to this device.
Reserved[256]	Reserved for future use.

5.2.15. ABS_DEVICE_LIST

The format of the data returned by ABSEnumerateDevices, it contains info about all enumerated devices. Please note, that the real output parameter from ABSEnumerateDevices has variable length – array List[] has NumDevices items.

```
typedef struct abs_device_list {
    ABS_DWORD NumDevices;
    ABS_DEVICE_LIST_ITEM List[ABS_VARLEN];
} ABS_DEVICE_LIST
```

Description	
NumDevices	Number of devices in the list
List[ABS_VARLEN]	The list of devices



5.2.16. ABS_CALLBACK

```
void ABS_CALLBACK(
    IN const ABS_OPERATION *pOperation
    IN ABS_DWORD dwMsgID
    IN void *pMsgData
)
```

Description	
	<p>A type of the callback functions that an application can supply to the BSAPI to enable itself to display GUI state information to user.</p> <p>The callback is passed into the BSAPI function of interactive operations through <code>ABS_OPERATION</code> structure. Interactive operations call the callback repeatedly while the operation is in process. Thus the application can react accordingly to the process stage of the operation and update user interface.</p> <p>Note that exact way when the callback is called can be further determined by member <code>Flags</code> of <code>ABS_OPERATION</code>.</p> <p>Most applications will probably implement a callback in a way that it will create a dialog when first message of a biometric operation appears and then update a text and/or image in the dialog, according to the messages received. For this reason, BSAPI.DLL delays sending of some messages if there would be danger that the letter would replace the former too quickly so that end user would have no chance to catch the message. For example when user swipes incorrectly, and bad quality of the swipe or of resulted image is detected, the callback is called with appropriate feedback message. Then there is some delay before the callback is called again, with a prompt for new swipe so user has time to see the bad quality feedback.</p> <p>However this default behavior might not be desired in some other scenarios. For example if the callback implementation writes every message to a new line, so user can review complete history of the messages, or when the callback implementation provides no feedback to the user. In these cases the delays between some subsequent messages only protract time of the biometric operation. To disable all those delays, set the flag <code>ABS_OPERATION_FLAG_LL_CALLBACK</code> in <code>ABS_OPERATION::Flags</code>.</p> <p>The second supported flag of <code>ABS_OPERATION</code> related to <code>ABS_CALLBACK</code> is <code>ABS_OPERATION_FLAG_USE_IDLE</code>. When set, BSAPI.DLL guarantees the callback is called quite often (about 100 milliseconds). If there is nothing it would report, it uses message <code>ABS_MSG_IDLE</code>. The only purpose of this is to allow the canceling of the operation from the callback in a reasonable way (see <code>ABSCancelOperation</code> for more info). However this comes at some cost: it eats more CPU cycles, so when this is not needed (e.g. you know that you don't cancel the operation or when you can cancel it from other thread), you should avoid use of this flag.</p> <p>When the flag <code>ABS_OPERATION_FLAG_USE_IDLE</code> is not set, the message <code>ABS_MSG_IDLE</code> is never used and it there might be quite a long time between two subsequent calls of the callback, e.g. when the biometric operation has been started but user does not touch the sensor for long time.</p>



Parameters	
pOperation	Pointer to ABS_OPERATION structure used when calling the interactive operation. The caller of the interactive operation can use member Context of the structure to pass data into the callback.
dwMsgData	ID of message. See description of ABS_MSG_XXXX constants.
pMsgData	Pointer to data with additional information related with the message. Its meaning is message dependent. Refer to the documentation of the specific BS_MSG_XXXX constants.



6.0. Specific Constants

6.1. Flags for ABSInitializeEx (ABS_INIT_FLAG_xxxx)

The following flags can be used in function ABSInitializeEx.

ABS_INIT_FLAG_NT_SERVICE	0x1
Initializes the library in a mode compatible with Windows NT service.	
This mode is supported only on MS Windows. You should use this flag only when your application is running as NT service.	
Note that this flag cannot be used together with ABS_INIT_FLAG_FORCE_REMOTE_SENSOR. When flag ABS_INIT_FLAG_NT_SERVICE is used, only local devices can be opened, regardless whether ABS_INIT_FLAG_FORCE_LOCAL_SENSOR flag is or is not used.	
ABS_INIT_FLAG_FORCE_LOCAL_SENSOR	0x2
Forces BSAPI to ignore remote sessions and always open sensors locally.	

6.2. Flags for ABS_OPERATION (ABS_OPERATION_FLAG_xxxx)

The following flags can be used in structure ABS_OPERATION.

ABS_OPERATION_FLAG_LL_CALLBACK	0x1
Enables low level callback mode.	
See documentation of ABS_CALLBACK for more information how the low level callback mode differs from the default high level mode.	
ABS_OPERATION_FLAG_USE_IDLE	0x2
Enables sending of messages ABS_MSG_IDLE to operation callback.	
By default idle messages are not sent. If they are enabled, they are called in short intervals so you can call ABSCancelOperation effectively from the operation callback.	
You should not allow sending the idle messages unless you really need them.	



6.3. Flags for Biometric and Image Grabbing Functions (ABS_FLAG_xxxx)

The following flags can be used for biometric functions.

Note that not all functions accept all flags. See documentation of respective function for more information.

<p>ABS_FLAG_NOTIFICATION</p> <p>Enables notification mode of the biometric operation.</p> <p>In the notification mode the biometric function does not provide any feedback to user until the user swipes. This is useful for applications running on background, when it's not desired to disturb user until he swipes.</p> <p>Whether the GUI dialog should be visible or not is controlled by messages ABS_MSG_DLG_SHOW and ABS_MSG_DLG_HIDE.</p> <p>Only functions ABSCapture and ABSVerify support this flag.</p>	<p>0x1</p>
<p>ABS_FLAG_AUTOREPEAT</p> <p>Enables auto-repeat mode of the biometric operation.</p> <p>If used, the verification is automatically restarted when the user's swipe does not match any template in a provided template set.</p> <p>Only function ABSVerify supports this flag. See documentation of this function for more details.</p>	<p>0x2</p>
<p>ABS_FLAG_STRICT_PROFILE</p> <p>Requires strict interpretation of raw grab profile.</p> <p>When set and any of the requested profile data cannot be respected because the FM does not support it, the raw grab operation fails and ANS_STATUS_NOT_SUPPORTED is returned.</p> <p>When not set the profile is followed only to degree supported by the device. I.e. those not supported are silently ignored, and the operation continues. Please note that profile key ABS_PKEY_IMAGE_FORMAT is always interpreted in the strict way.</p> <p>Only function ABSRawGrab supports this flag.</p>	<p>0x4</p>
<p>ABS_FLAG_HIGH_RESOLUTION</p> <p>Requires a higher sample image resolution.</p> <p>Only function ABSGrab supports this flag. Using Function ABSGrab with this flag is a device alternative to specifying exact desired image format with ABSRawGrab, ABSGrabImage or ABSRawGrabImage.</p> <p>With most devices manufactured by UPEK, this means using 508x508 DPI instead of normal 381x381 used without the flag, if the device supports it.</p>	<p>0x8</p>



6.4. Template Purpose Constants (ABS_PURPOSE_xxxx)

Possible values used where purpose of fingerprint template (BIR)

Biometric functions which take purpose as one of their parameter can use this information to optimize operation processing. For example enrollment usually requires a higher template quality, so built-in biometric tests for template quality are stricter when ABS_PURPOSE_ENROLL is specified.

Please notice that the defined constants correspond to constants defined in BioAPI (BioAPI_PURPOSE_xxxx). However also note that BSAPI supports uses only subset of the purposes supported defined in BioAPI.

ABS_PURPOSE_UNDEFINED 0 The purpose is not specified. The biometric operation is not optimized for any particular BIR purpose.
ABS_PURPOSE_VERIFY 1 BIR is intended to be used for verification.
ABS_PURPOSE_ENROLL 3 BIR is intended to be used for enrollment.



6.5. Key Constants for ABS_PROFILE_DATA (ABS_PKEY_xxxx)

Constants ABS_PKEY_xxxx are possible values for member Key of:

<p>ABS_PKEY_WAIT_FOR_ACCEPTABLE</p> <p>Disables default one-attempt approach of ABSRawGrab.</p> <p>When set to zero (default), ABSRawGrab lets the user swipe only once. If the quality checks are unsatisfied, and thus no image is retrieved, the function still returns ABS_STATUS_OK, and NULL is passed through the output parameter pplImage.</p> <p>When set to non-zero, the grab operation asks for additional swipes until the swipe is good enough to pass the quality checks.</p> <p>Note that when quality checks are disabled (i.e. both ABS_PKEY_SCAN_QUALITY_QUERY and ABS_PKEY_IMAGE_QUALITY_QUERY are set to non-zero), this flag has no effect because any swipe is then considered as acceptable.</p>	1
<p>ABS_PKEY_SCAN_QUALITY_QUERY</p> <p>Sets scan quality check mode.</p> <p>When set to non-zero (default), scanning quality problems are ignored during the swipe and thus they are not sent to callback. You can still retrieve some information about scan quality in form of ABS_SWIPE_INFO structure.</p> <p>When set to zero, scanning quality problems are sent to the call back in form of ABS_MSG_QUALITY_xxxx messages.</p>	2
<p>ABS_PKEY_IMAGE_QUALITY_QUERY</p> <p>Sets image quality check mode.</p> <p>When set to non-zero (default), image quality problems are ignored during the swipe and thus they are not sent to callback. You can still retrieve some information about scan quality in form of ABS_SWIPE_INFO structure.</p> <p>When set to zero, image quality problems are sent to the call back in form of ABS_MSG_QUALITY_xxxx messages.</p>	3
<p>ABS_PKEY_ALLOW_HW_SLEEP</p> <p>Enables HW sleep mode.</p> <p>When set to non-zero (default), HW sleep of the device is enabled during the raw grab operation.</p> <p>When set to zero, the sleep is disabled.</p> <p>Note that ONLY ignores this profile key, even in strict mode because ONLY uses its own, more complex policy, to decide when to use the sleep mode.</p>	4
<p>ABS_PKEY_IMAGE_FORMAT</p> <p>Specifies desired image format.</p> <p>Value can be any ABS_PVAL_IFMT_xxxx constant. Note that various devices support different image formats. Using unsupported image format causes ABSRawGrab to fail with ABS_STATUS_NOT_SUPPORTED, regardless whether strict mode is used or not.</p>	5



ABS_PKEY_REC_TERMINATION_POLICY	6
Specifies image reconstruction termination policy.	
It can be any ABS_PVAL_RTP_xxxx constant. It determines when the FM stops to scan the finger.	
Default value depends on the FM model used:	
<ul style="list-style-type: none">• TFM 2.0: ABS_PVAL_RTP_CORE• ESS 2.1: ABS_PVAL_RTP_CORE• ESS 2.2: ABS_PVAL_RTP_CORE_PLUS• ONLY: ABS_PVAL_RTP_CORE_PLUS• TCD 50: ABS_PVAL_RTP_FINGERTIP	
ABS_PKEY_REC_RETUNING	7
Enables automatic sensor retuning.	
When set to non-zero (default), an automatic sensor calibration tuning is enabled while waiting for finger in order to always get the best image.	
When set to zero, the calibration tuning is disabled.	
ABS_PKEY_REC_DIGITAL_GAIN	8
This value is used for digital image enhancement.	
The value determines a factor of digital image enhancement. It is strongly recommended not to change this parameter.	
Supported only by TFM 2.0 and ESS 2.1.	
ABS_PKEY_REC_FLAG_DGAIN	9
This value is used for digital image enhancement.	
When set to non-zero (default), digital gain enhancement is enabled; when zero, it is disabled.	
Supported only by TCD 50	
ABS_PKEY_REC_FLAG_SRA_DOWN	10
Enables top-down striation removal algorithm.	
When set to non-zero (default), the algorithm is enabled. When zero, it is disabled.	
ABS_PKEY_REC_FLAG_SRA_UP	11
Enables bottom-up striation removal algorithm.	
When set to non-zero (default), the algorithm is enabled. When zero, it is disabled.	
ABS_PKEY_REC_FLAG_SKEW	12
Enables skew compensation algorithm.	
When set to non-zero, the algorithm is enabled. When zero, it is disabled.	
Supported only by TCD 50.	



ABS_PKEY_REC_FLAG_GRADIENT	13
Enables gradient compensation algorithm. When set to non-zero, the algorithm is enabled. When zero, it is disabled. Supported only by TCD 50.	
ABS_PKEY_REC_SWIPE_DIRECTION	14
Specifies swipe direction mode. Can be set to any ABS_PVAL_SWIPEDIR_XXXX constant. The default value is ABS_PVAL_SWIPEDIR_STANDARD. If you set it to any non-default value you should set ABS_PKEY_SCAN_QUALITY_QUERY to zero as well. Not supported by TFM 2.0 and ESS 2.1.	
ABS_PKEY_REC_NOISE_ROBUSTNESS	15
Specifies noise robustness mode. Can be set to any ABS_PVAL_NOIR_XXXX constant. Default is ABS_PVAL_NOIR_DISABLED for SONLY and ABS_PVAL_NOIR_ON_DETECTION for TCD 50. Supported only by SONLY and TCD 50.	
ABS_PKEY_REC_NOISE_ROBUSTNESS_TRIGGER	16
Specifies noise robustness trigger. It determines how many consecutive bad swipes triggers noise robustness. Zero means no triggering by bad swipes. Default value is 3. Supported by TCD 50 only.	
ABS_PKEY_REC_SWIPE_TIMEOUT	17
Timeout for swipe termination in milliseconds. If this timeout expires, image reconstruction is terminated. Still the image reconstructed so far is passed to next processing which decides about its quality. Default timeout is 6000 ms. Not supported by TFM 2.0 and ESS 2.1.	
ABS_PKEY_REC_NO_MOVEMENT_TIMEOUT	18
No movement timeout. If no movement is detected for that period (in milliseconds), the swipe is terminated regardless on the finger presence. This feature is disabled if set to zero. Default is 500 ms. Not supported by TFM 2.0 and ESS 2.1.	
ABS_PKEY_REC_NO_MOVEMENT_RESET_TIMEOUT	19
No movement reset timeout. If no movement is detected for that period (in milliseconds) and image is very short, the reconstruction is not restarted any more. This feature is disabled if set to zero. Default is 2000 ms. Not supported by TFM 2.0 and ESS 2.1.	



ABS_PKEY_SENSOR_SECURITY_MODE	20
Sensor security mode.	
It specifies whether (and how) are encrypted communication data sent between the FM sensor and chipset or computer which processes them.	
It can be set to any ABS_PVAL_SSM_xxxx constant.	
For SONLY the default mode is ABS_PVAL_SSM_ENCRYPT (the data are sent from sensor to the computer), for other FM models (where the data stay in the FM device) the default is ABS_PVAL_SSM_DISABLED.	
Supported only by SONLY and TCD 50.	

6.6. ABS_PKEY_IMAGE_FORMAT Values (ABS_PVAL_IFMT_xxxx)

Possible image formats.

Please note that the desired image format is always evaluated in a strict mode of raw grab profile.

Note that the symbolic constant names contain some marginal parameters of the desired format: horizontal and vertical resolution in dots per inch (DPI), bits per pixel (they determine color count of the resulted sample image).

Remember that the structure **ABS_IMAGE** always uses one byte per pixel, regardless of the desired image format. (The image uses more compact representation during communication between the FM device and computer.)

Some image format contains word **BINARIZED** in the symbolic constant name. In this case, the image is binarized yet on the device (with the exception of **SONLY**) so that the communication is faster.

Note that support for the particular image format depends on the exact firmware version and whether the device was calibrated. Especially low-power modes may require calibration. Therefore, the information in the table below shows what FM models support which format is only for basic orientation.

ABS_PVAL_IFMT_381_381_8	2
Finger is grabbed with 3:4 sub-sampling (every 4 pixels scaled down to 3 pixels), 381 x 381 DPI, 8 bits/pixel.	
Supported by TFM, ESS, SONLY and TCD 50.	
ABS_PVAL_IFMT_254_254_8	3
Finger is grabbed with 1:2 sub-sampling (every second pixel), 254 x 254 DPI, 8 bits/pixel.	
Supported by TFM and ESS.	
ABS_PVAL_IFMT_381_381_8_BINARIZED	4
Finger is grabbed 3:4 sub-sampling (every 4 pixels scaled down to 3 pixels), 381 x 381 DPI, 8 bits/ pixel and binarized to 1 bit/pixel.	
Supported by TFM, ESS, SONLY and TCD 50.	
ABS_PVAL_IFMT_508_254_8	5
Grab the whole finger with 1:2 sub-sampling in Y axis (508 x 254 DPI), 8 bits per pixel.	
Supported by ESS and TCD 50.	



ABS_PVAL_IFMT_508_508_4	6
Grab the whole finger in full resolution (508 DPI, 8 bits), and cut off to 4 bits per pixel. Supported by ESS and TCD 50.	
ABS_PVAL_IFMT_381_381_4	7
Grab the whole finger with 3:4 sub-sampling (381 x 381 DPI, 8 bits), and cut off to 4 bits per pixel. Supported by ESS and TCD 50.	
ABS_PVAL_IFMT_508_254_4	8
Grab the whole finger with 1:2 sub-sampling in Y axis (508 x 254 DPI, 8 bits), and cut off to 4 bits per pixel. Supported by ESS and TCD 50.	
ABS_PVAL_IFMT_254_254_4	9
Grab the whole finger with 1:2 sub-sampling (254 x 254 DPI, 8 bits), and cut off to 4 bits per pixel. Supported by ESS only.	
ABS_PVAL_IFMT_508_508_8_WIDTH208	10
Grabs centered windows of size 208 x 288 pixels, in full resolution of 508 x 508 DPI and 8 bits/pixel. Supported only by TFM, ESS.	
ABS_PVAL_IFMT_508_508_8_COMPRESS1	11
Grab the whole finger in full resolution (508 DPI), 8 bits per pixel. It's recommended to prefer ABS_PVAL_IFMT_508_508_8_COMPRESS2 whenever supported by the device. Supported by ESS.	
ABS_PVAL_IFMT_508_508_4_SCAN4	12
Grab the whole finger in full resolution (508 DPI) in 4-bit scanning mode. This mode has lower power consumption but also lower image quality. Supported only by ESS older than 2.1 rev.K.	
ABS_PVAL_IFMT_381_381_8_FAST	13
Grab the whole finger with 3:4 sub-sampling (381 x 381 DPI), 8 bits/pixel. This mode internally uses the 508 x 254 scanning, which supports faster finger movements at the cost of lower image quality. Supported by ESS and TCD 50.	
ABS_PVAL_IFMT_508_254_4_SCAN4	14
Grab the whole finger with 1:2 sub-sampling in Y axis (508 x 254 DPI) in 4-bit scanning mode. This mode has lower power consumption but also lower image quality. Supported only by ESS older than 2.1 rev.K.	



ABS_PVAL_IFMT_254_254_4_SCAN4	15
<p>Grab the whole finger with 1:2 sub-sampling (254 x 254 DPI) in 4-bit scanning mode. This mode has lower power consumption but also lower image quality.</p> <p>Supported by ESS.</p>	
ABS_PVAL_IFMT_381_381_4_FAST	16
<p>Grab the whole finger with 3:4 sub-sampling (381 x 381 DPI, 8 bits), and cut off to 4 bits/pixel. This mode internally uses the 508 x 254 scanning, which supports faster finger movements at the cost of lower image quality.</p> <p>Supported by ESS and TCD 50.</p>	
ABS_PVAL_IFMT_381_381_8_BINARIZED_FAST	17
<p>Grab the whole finger with 3:4 sub-sampling (381 x 381 DPI, 8 bits), and binarize to 1 bit/pixel. This mode internally uses the 508 x 254 scanning, which supports faster finger movements at the cost of lower image quality.</p> <p>Supported by ESS and TCD 50.</p>	
ABS_PVAL_IFMT_508_508_8_COMPRESS2	18
<p>Grab the whole finger in full resolution (508 DPI), 8 bits per pixel.</p> <p>Supported by ESS 2.2.</p>	
ABS_PVAL_IFMT_381_381_8_SCAN381	19
<p>Grab the whole finger with 3:4 sub-sampling (every 4 pixels scaled down to 3 pixels, 381 x 381 DPI), 8 bits/pixel. Sub-sampling is done directly by the sensor using its native 381 scanning format.</p> <p>Supported by ESS 2.2 with TCS3C and newer sensors and by TCD 50.</p>	
ABS_PVAL_IFMT_381_381_4_SCAN381	20
<p>Grab the whole finger with 3:4 sub-sampling (381 x 381 DPI, 8 bits), and cut off to 4 bits per pixel. Sub-sampling is done directly by the sensor using its native 381 scanning format.</p> <p>Supported by ESS 2.2 with TCS3C and newer sensors and by TCD 50.</p>	
ABS_PVAL_IFMT_381_381_8_BINARIZED_SCAN381	21
<p>Grab the whole finger with 3:4 sub-sampling (every 4 pixels scaled down to 3 pixels, 381 x 381 DPI), 8 bits/pixel, and binarize to 1 bit/pixel. Sub-sampling is done directly by the sensor using its native 381 scanning format.</p> <p>Supported by ESS 2.2 with TCS3C and newer sensors and by TCD 50.</p>	
ABS_PVAL_IFMT_381_381_8_LP	22
<p>Grab the whole finger with 3:4 sub-sampling (every 4 pixels scaled down to 3 pixels, 381 x 381 DPI), 8 bits/pixel, uses low power consumption mode.</p> <p>Supported by ESS 2.2 and TCD 50.</p>	
ABS_PVAL_IFMT_381_381_4_LP	23
<p>Grab the whole finger with 3:4 sub-sampling (381 x 381 DPI, 8 bits), and cut off to 4 bits per pixel, uses low power consumption mode.</p> <p>Supported by ESS 2.2 and TCD 50.</p>	



ABS_PVAL_IFMT_381_381_8_BINARIZED_LP	24
Grab the whole finger with 3:4 sub-sampling (every 4 pixels scaled down to 3 pixels, 381 x 381 DPI), 8 bits/pixel, and binarize to 1 bit/pixel, uses low power consumption mode. Supported by ESS 2.2 and TCD 50.	
ABS_PVAL_IFMT_381_381_8_VLP	25
Grab the whole finger with 3:4 sub-sampling (every 4 pixels scaled down to 3 pixels, 381 x 381 DPI), 8 bits/pixel, uses very low power consumption mode. Supported by ESS 2.2 with serial communication not faster than 75600 kbps.	
ABS_PVAL_IFMT_381_381_4_VLP	26
Grab the whole finger with 3:4 sub-sampling (381 x 381 DPI, 8 bits), and cut off to 4 bits per pixel, uses very low power consumption mode. Supported by ESS 2.2 with serial communication not faster than 75600 kbps.	
ABS_PVAL_IFMT_381_381_8_BINARIZED_VLP	27
Grab the whole finger with 3:4 sub-sampling (every 4 pixels scaled down to 3 pixels, 381 x 381 DPI), 8 bits/pixel, and binarize to 1 bit/pixel, uses very low power consumption mode. Supported by ESS 2.2 with serial connection not faster than 57600 kbps.	
ABS_PVAL_IFMT_381_381_8_SCAN381_381_4	28
Grab the whole finger with 3:4 sub-sampling (every 4 pixels scaled down to 3 pixels, 381 x 381 DPI), 8 bits/pixel. Image is internally scanned using format 381/381/4. Supported only by some variants of SONLY.	
ABS_PVAL_IFMT_381_381_8_BINARIZED_SCAN381_381_4	30
Grab the whole finger with 3:4 sub-sampling (every 4 pixels scaled down to 3 pixels, 381 x 381 DPI), 8 bits/pixel. Image is internally scanned using format 381/381/4. Supported only by some variants of SONLY.	
ABS_PVAL_IFMT_381_381_8_SCAN381_254_4	31
Grab the whole finger with 3:4 sub-sampling (every 4 pixels scaled down to 3 pixels, 381 x 381 DPI), 8 bits/pixel. Image is internally scanned using format 381/254/4. Supported only by some variants of SONLY.	
ABS_PVAL_IFMT_381_381_8_BINARIZED_SCAN381_254_4	33
Grab the whole finger with 3:4 sub-sampling (every 4 pixels scaled down to 3 pixels, 381 x 381 DPI), 8 bits/pixel, and binarize to 1 bit/pixel. Image is internally scanned using format 381/254/4. Supported only by some variants of SONLY.	
ABS_PVAL_IFMT_508_508_8_SCAN508_508_8	34
Grab the whole finger in full resolution (508 x 508 DPI), 8 bits/pixel. Image is internally scanned using format 508/508/8. Supported only by some variants of SONLY.	



ABS_PVAL_IFMT_508_508_4_SCAN508_508_8	35
Grab the whole finger in full resolution (508 x 508 DPI), 8 bits/pixel, and cut off to 4 bits per pixel. Image is internally scanned using format 508/508/8. Supported only by some variants of SONLY and by TCD 50.	
ABS_PVAL_IFMT_508_508_8_BINARIZED_SCAN508_508_8	36
Grab the whole finger in full resolution (508 x 508 DPI), 8 bits/pixel, and binarize to 1 bit/pixel. Image is internally scanned using format 508/508/8. Supported by some variants of SONLY and by TCD 50.	
ABS_PVAL_IFMT_508_508_8_COMPRESS3	39
Grab the whole finger in full resolution (508 x 508 DPI), 8 bits/pixel and compress it into 3:4 sub-sampled image (381 x 381 DPI), 8 bits/pixel. Supported by TCD 50.	
ABS_PVAL_IFMT_508_254_8_LP	40
Supported by TCD 50.	
ABS_PVAL_IFMT_508_254_4_LP	41
Supported by TCD 50.	
ABS_PVAL_IFMT_381_381_8_FAST_LP	42
Supported by TCD 50.	
ABS_PVAL_IFMT_381_381_4_FAST_LP	43
Supported by TCD 50.	
ABS_PVAL_IFMT_381_381_8_BINARIZED_FAST_LP	44
Supported by TCD 50.	

6.7. ABS_PKEY_REC_TERMINATION_POLICY Values (ABS_PVAL_RTP_xxxx)

See description of ABS_PKEY_REC_TERMINATION_POLICY for more information.

ABS_PVAL_RTP_BASIC	0
Basic image reconstruction termination policy. If the scanned image would be longer than maximal allowed length, only beginning of the image from the start on is returned.	
ABS_PVAL_RTP_FINGERTIP	1
Fingertip image reconstruction termination policy. If the scanned image would be longer than maximal allowed length, the end of the image up to the fingertip is returned.	



ABS_PVAL_RTP_CORE	2
Core image reconstruction termination policy. If the scanned image would be longer than maximal allowed length, the most valuable part of the image from biometrical viewpoint (typically the fingerprint's core) is returned.	
ABS_PVAL_RTP_CORE_PLUS	3
Enhanced core image reconstruction termination policy. If the scanned image would be longer than maximal allowed length, the most valuable part of the image from biometrical viewpoint (typically the fingerprint's core), with finger joint skipped, is returned. Not supported by TFM 2.0 and ESS 2.1.	

6.8. ABS_PKEY_REC_SWIPE_DIRECTION Values (ABS_PVAL_SWIPEDIR_xxxx)

See description of ABS_PKEY_REC_SWIPE_DIRECTION for more information.

ABS_PVAL_SWIPEDIR_STANDARD	0
Standard swipe direction.	
ABS_PVAL_SWIPEDIR_INVERTED	1
Inverted swipe direction.	
ABS_PVAL_SWIPEDIR_AUTODETECT	2
Auto-detection at the beginning of the swipe.	
ABS_PVAL_SWIPEDIR_STANDARD_WARN	3
Standard swipe direction with warning. If backward swipe is detected, message ABS_MSG_QUALITY_BACKWARD is sent to callback.	
ABS_PVAL_SWIPEDIR_INVERTED_WARN	4
Inverted swipe direction with warning. If backward swipe is detected, message ABS_MSG_QUALITY_BACKWARD is sent to callback.	

6.9. ABS_PKEY_REC_NOISE_ROBUSTNESS Values (ABS_PVAL_NOIR_xxxx)

See description of ABS_PKEY_REC_NOISE_ROBUSTNESS for more information.

ABS_PKEY_NOIR_DISABLED	0
Noise robustness is switched off.	
ABS_PKEY_NOIR_FORCED	1
Noise robustness is switched on.	



ABS_PKEY_NOIR_ON_DETECTION

2

Noise robustness is in auto detection mode.



6.10. ABS_PKEY_SENSOR_SECURITY_MODE values (ABS_PVAL_SSM_xxxx)

See description of ABS_PKEY_SENSOR_SECURITY_MODE for more information.

ABS_PVAL_SSM_DISABLED	0
Sensor security mode is disabled.	
ABS_PVAL_SSM_ENCRYPT	1
Sensor security is set to 'encryption' mode.	
ABS_PVAL_SSM_SIGN_ALL	2
Sensor security is set to 'sign all' mode.	
ABS_PVAL_SSM_SIGN_PARTIAL_V1	3
Sensor security is set to 'sign partial ver. 1'. It is faster than version 2, but less secure.	
ABS_PVAL_SSM_SIGN_PARTIAL_V2	4
Sensor security is set to 'sign partial ver. 2'. It is slower than version 1, but more secure.	



6.11. Swipe Info Flags (ABS_SWIPE_FLAG_xxxx)

Member Flags of structure ABS_SWIPE_INFO is a bitmask describing various attributes of user's swipe in ABSRawGrab.

ABS_SWIPE_FLAG_TOO_FAST	0x01
The swipe was too fast. If user swipes too fast, the device is not able to process all the data.	
ABS_SWIPE_FLAG_TOO_SKEWED	0x02
The swipe was too skewed.	
ABS_SWIPE_FLAG_BACKWARDS_MOVEMENT	0x04
Swipe was in wrong direction. Note that this flag is set only in auto-detection mode of the swipe direction (i.e. when profile value ABS_PKEY_REC_SWIPE_DIRECTION is set to ABS_PVAL_SWIPEDIR_AUTODETECT).	
ABS_SWIPE_FLAG_JOINT_DETECTED	0x08
Finger joint was detected in the swipe.	
ABS_SWIPE_FLAG_TOO_SHORT	0x10
The swipe was too short. It may cause low level quality of resulting biometric templates, because there only few biometric data in the swiped region of user's finger.	



6.12. Process Constants (ABS_PROCESS_xxxx)

These constants identify interactive operation processes.

Structures ABS_PROCESS_DATA, ABS_PROCESS_BEGIN_DATA and ABS_PROCESS_SUCCESS_DATA have member called Process which identifies the stage the operation enters.

Some high level biometric operations consist of multiple processes. Generally the interactive operation is composed from tree of processes. Entering and leaving in node in the tree is marked with calling the callback with messages ABS_MSG_PROCESS_BEGIN and ABS_MSG_PROCESS_END.

Other ABS_MSG_PROCESS_xxxx may or may not be sent, depending on the respective process and its progress.

For example a typical consolidated enrollment operation can be composed from the sequence of the following messages:

1. ABS_MSG_PROCESS_BEGIN (ProcessID = ABS_PROCESS_ENROLL)
2. ABS_MSG_PROCESS_BEGIN (ProcessID = ABS_PROCESS_CONSOLIDATED_CAPTURE)
3. ABS_MSG_PROCESS_BEGIN (ProcessID = ABS_PROCESS_CAPTURE)
4. ABS_MSG_PROCESS_BEGIN (ProcessID = ABS_PROCESS_GRAB)
5. ... messages leading the user to correctly swipe his finger
6. ABS_MSG_PROCESS_END (end of ABS_PROCESS_GRAB)
7. ABS_MSG_PROCESS_PROGRESS (Percentage=23%)
8. ABS_MSG_PROCESS_END (end of ABS_PROCESS_CAPTURE)
9. ABS_MSG_PROCESS_BEGIN (ProcessID = ABS_PROCESS_CAPTURE)
10. ABS_MSG_PROCESS_BEGIN (ProcessID = ABS_PROCESS_GRAB)
11. ... messages leading the user to correctly swipe his finger
12. ABS_MSG_PROCESS_END (end of ABS_PROCESS_GRAB)
13. ABS_MSG_PROCESS_PROGRESS (Percentage=32%)
14. ABS_MSG_PROCESS_END (end of ABS_PROCESS_CAPTURE)
15. ABS_MSG_PROCESS_BEGIN (ProcessID = ABS_PROCESS_CAPTURE)
16. ABS_MSG_PROCESS_BEGIN (ProcessID = ABS_PROCESS_GRAB)
17. ... messages leading the user to correctly swipe his finger
18. ABS_MSG_PROCESS_END (end of ABS_PROCESS_GRAB)
19. ABS_MSG_PROCESS_PROGRESS (Percentage=39%)
20. ABS_MSG_PROCESS_END (end of ABS_PROCESS_CAPTURE)
21. ABS_MSG_PROCESS_BEGIN (ProcessID = ABS_PROCESS_CAPTURE)
22. ABS_MSG_PROCESS_BEGIN (ProcessID = ABS_PROCESS_GRAB)
23. ... messages leading the user to correctly swipe his finger
24. ABS_MSG_PROCESS_END (end of ABS_PROCESS_GRAB)
25. ABS_MSG_PROCESS_PROGRESS (Percentage=64%)
26. ABS_MSG_PROCESS_END (end of ABS_PROCESS_CAPTURE)
27. ABS_MSG_PROCESS_BEGIN (ProcessID = ABS_PROCESS_CAPTURE)
28. ABS_MSG_PROCESS_BEGIN (ProcessID = ABS_PROCESS_GRAB)



29. ... messages leading the user to correctly swipe his finger
30. ABS_MSG_PROCESS_END (end of ABS_PROCESS_GRAB)
31. ABS_MSG_PROCESS_PROGRESS (Percentage=88%)
32. ABS_MSG_PROCESS_END (end of ABS_PROCESS_CAPTURE)
33. ABS_MSG_PROCESS_BEGIN (ProcessID = ABS_PROCESS_CAPTURE)
34. ABS_MSG_PROCESS_BEGIN (ProcessID = ABS_PROCESS_GRAB)
35. ... messages leading the user to correctly swipe his finger
36. ABS_MSG_PROCESS_END (end of ABS_PROCESS_GRAB)
37. ABS_MSG_PROCESS_PROGRESS (Percentage=100%)
38. ABS_MSG_PROCESS_END (end of ABS_PROCESS_CAPTURE)
39. ABS_MSG_PROCESS_END (end of ABS_PROCESS_CONSOLIDATED_CAPTURE)
40. ABS_MSG_PROCESS_END (end of ABS_PROCESS_ENROLL)

ABS_PROCESS_NAVIGATE	1
<p>Root process of navigation (ABSNavigate).</p> <p>It typically consists of one sub-process of type ABS_PROCESS_CONSOLIDATED_CAPTURE.</p>	
ABS_PROCESS_ENROLL	2
<p>Root process of enrollment (ABSEnroll).</p> <p>It is typically composed of one sub-process ABS_PROCESS_CONSOLIDATED_CAPTURE.</p>	
ABS_PROCESS_VERIFY	3
<p>Root process of verification (ABSVerify)</p> <p>It has typically one sub-process of type ABS_PROCESS_CAPTURE.</p>	
ABS_PROCESS_IDENTIFY	4
<p>Root process of identification.</p>	
ABS_PROCESS_CONSOLIDATED_CAPTURE	5
<p>Process of consolidated template from the scanner.</p> <p>It is a complex process, consisted of several sub-processes of ABS_PROCESS_CAPTURE and one final ABS_PROCESS_CONSOLIDATE.</p>	
ABS_PROCESS_CONSOLIDATE	6
<p>Process of consolidation.</p> <p>It merges several templates of one finger into one high-quality enrollment template.</p> <p>Note that since BSAPI 3.5 this process is never used and the constant remains to be defined solely for backward compatibility, as source code of custom ABS_CALLBACK implementations could refer the constant.</p>	
ABS_PROCESS_CAPTURE	7
<p>Process of template capture from scanner.</p> <p>Typically it has one sub-process of type ABS_PROCESS_GRAB.</p>	



ABS_PROCESS_MATCH	8
Process of matching template against set of templates.	
ABS_PROCESS_GRAB	9
Process of sample image grab from scanner. It's relatively low level process retrieving a fingerprint sample image from the sensor.	
ABS_PROCESS_NOTIFY	10
Process of notification. This process is used by functions which allow notification mode (see ABS_FLAGF_NOTIFICATION).	



6.13. Device Property Constants (ABS_DEVPROP_xxxx)

The following constants are suitable as values for dwPropertyId parameter:

ABS_DEVPROP_DEVICE_VERSION	0
<p>Identifies version of the FM device ROM.</p> <p>Output ABS_DATA contains 4 bytes, interpreted as ABS_DWORD. Highest byte specifies major version, second highest byte specifies minor version and low word specifies subversions/revisions.</p> <ul style="list-style-type: none"> • 0x0200xxxx (2.0.x) - used by TFM 2.0 • 0x0401xxxx (4.1.x) - used by ESS 2.1 • 0x0402xxxx (4.2.x) - used by ESS 2.2 • 0x0500xxxx (5.0.x) - used by TCD 50 	
ABS_DEVPROP_DEVICE_ID	1
<p>Unique identification of the device if the FM supports it.</p> <p>ABS_DATA can contain arbitrary sequence of bytes, composing the identification. If not supported by FM, no output ABS_DATA are allocated and NULL is passed out.</p>	
ABS_DEVPROP_FIRMWARE_VARIANT	2
<p>Identifies firmware variant.</p> <p>Output ABS_DATA contains 4 bytes, interpreted as ABS_DWORD.</p>	
ABS_DEVPROP_SENSOR_TYPE	4
<p>Identifies sensor type.</p> <p>Output ABS_DATA contains 4 bytes, interpreted as ABS_DWORD.</p>	
ABS_DEVPROP_FUNCTIONALITY	8
<p>Provides information about FM capabilities.</p> <p>Output ABS_DATA contains 4 bytes, interpreted as bitmask.</p> <p>Bit 15 determines if the FM is SONLY (bit is set) or not (unset).</p>	
ABS_DEVPROP_DSN_STRING	11
<p>Provides DSN of the device.</p> <p>Output ABS_DATA contains any number of bytes, last of them is always zero. Interpret them as zero-terminated C string. It can be used as DSN string for functions ABSOpen and ABSEnumerateDevices.</p>	
ABS_DEVPROP_GUID	12
<p>Gets GUID of the device.</p> <p>Output ABS_DATA contains a binary GUID stored on the device. The GUID is generated on first device boot or during loading firmware into NVM (depending on device type).</p> <p>Note that only ESS 2.2 and newer devices support this feature.</p>	



6.14. Session and Global Parameter Constants (ABS_PARAM_xxxx)

These constants identify each parameter and can be used as value of parameter `dwParamID` of `ABS-SetSessionParameter` and `ABSGetSessionParameter` (for session parameters) functions, or `ABSSet-GlobalParameter` and `ABSGetGlobalParameter` (for global parameters).

<p>ABS_PARAM_CONSOLIDATION_COUNT</p> <p>Specifies count of finger swipes for consolidation.</p> <p>Consolidation is a process used for merging information acquired from multiple fingerprint templates to one high-quality template, used in enrollment process. This parameter determines how many templates are consolidated into one enrollment template.</p> <p>When set to zero, dynamic enrollment is used. In this mode, the enrollment operation continues until the resulted enrollment template has some minimal threshold quality.</p> <p>The Value is represented as <code>ABS_DATA</code> with 1 byte of length. This byte is interpreted as unsigned count of finger swipes.</p> <p>Default value is zero (i.e. the dynamic enrollment). Note that currently only values 0 (dynamic enrollment) and 5 are supported.</p>	1
<p>ABS_PARAM_CONSOLIDATION_TYPE</p> <p>Determines type of consolidation.</p> <p>I.e. how multiple templates were mixed together to get one high-quality template. See description of parameter <code>ABS_PARAM_CONSOLIDATION_COUNT</code> as well.</p> <p>Value is represented as <code>ABS_DATA</code> with 1 byte of length. The value can be any constant <code>ABS_CONSOLIDATION_xxxx</code>. See description of those constants.</p>	2
<p>ABS_PARAM_MATCH_LEVEL</p> <p>Determines required level of security for comparing two templates with <code>ABSVerifyMatch</code>.</p> <p>Value is represented as <code>ABS_DATA</code> with 1 byte of length. For the list of supported values, see <code>ABS_MATCH_xxxx</code>.</p>	3
<p>ABS_PARAM_DISABLE_SENSOR_SLEEP</p> <p>Disables sensor sleeping.</p> <p>Value is represented as <code>ABS_DATA</code> with 1 byte of length. When zero, BSAPI can switch the device to sleep mode, to save power. When non-zero, the sleep mode is disabled.</p>	4
<p>ABS_PARAM_DISABLE_SELECTIVE_SUSPEND</p> <p>Allows to disable the selective suspend.</p> <p>Value is represented as <code>ABS_DATA</code> with 1 byte of length. When zero, the selective suspend can be used. When non-zero, the selective suspend is disabled.</p>	5
<p>ABS_PARAM_POWER_SAVE_MODE</p> <p>Sets default power safe mode, if it is not disabled completely with <code>ABS_PARAM_DISABLE_SENSOR_SLEEP</code>.</p> <p>Value is represented as <code>ABS_DATA</code> with 1 byte of length. Possible values are: 0 – power save is always off (high power consumption); 1 – power save is always on (minimal power consumption, higher time latencies can occur); 2 – power save switching depending on the user activity.</p>	6



ABS_PARAM_POWER_SAVE_TIMEOUT	7
<p>Determines for how long time the user is considered to be active after touching sensor, or using keyboard or mouse.</p> <p>It has effect to power management only if ABS_PARAM_POWER_SAVE_MODE is set to 2.</p> <p>Value is represented as ABS_DATA with 4 bytes of length. The value is interpreted as ABS_DWORD, determining number of seconds.</p> <p>See also ABS_PARAM_POWER_SAVE_CHECK_KEYBOARD.</p>	
ABS_PARAM_ANTISPOOFING_POLICY	8
<p>Value is represented as ABS_DATA with 1 byte of length.</p> <p>For the list of supported values, see ABS_ANTISPOOFING_XXXX.</p>	
ABS_PARAM_ANTISPOOFING_LEVEL	9
<p>If anti-spoofing algorithms are applied, this setting determines trade-off between security and user's convenience.</p> <p>Value is represented as ABS_DATA with 1 byte of length. Possible values are: 0 - convenience is preferred (default); 1 – security is preferred.</p>	
ABS_PARAM_OPEN_TOTAL_TIMEOUT	10
<p>Total open-session timeout.</p> <p>When some specific error occurs with device (e.g. communication error caused by ESD), BSAPI automatically attempts to restore communication session with the device. This parameter specifies maximal amount of time BSAPI attempts to reopen the session.</p> <p>Value is represented as ABS_DATA with 4 bytes of length. The value is interpreted as ABS_DWORD, determining number of milliseconds. Default value is 5000.</p>	
ABS_PARAM_OPEN_RETRY_UI_NOTIFY_TIMEOUT	11
<p>Timeout to user-interface notification about the reopen attempt.</p> <p>When BSAPI is attempting to reopen session for time longer than this parameter specifies, then callback of an interactive operation receives message ABS_MSG_PROCESS_PROGRESS, so the end-user is notified that the device is busy.</p> <p>Value is represented as ABS_DATA with 4 bytes of length. The value is interpreted as ABS_DWORD, determining number of milliseconds. Default value is 2000.</p>	
ABS_PARAM_OPEN_RETRY_DELAY	12
<p>Delays between two subsequent sessions reopen attempts.</p> <p>BSAPI attempts to reopen the session repeatedly until it succeeds or until ABS_PARAM_OPEN_TOTAL_TIMEOUT expires. This parameter then specifies delay between two subsequent reopen attempts.</p> <p>The value is represented as ABS_DATA with 4 bytes of length. The value is interpreted as ABS_DWORD, determining number of milliseconds. Default value is 500.</p>	



<p>ABS_PARAM_IFACE_VERSION</p> <p>Read-only global parameter which determines version of BSAPI interface.</p> <p>Value is represented as ABS_DATA with 1 byte of length. This version of BSAPI uses version 2 of the interface.</p> <p>Note that corresponding versions of BSAPI.DLL always get the same value of this parameter.</p>	13
<p>ABS_PARAM_POWER_SAVE_CHECK_KEYBOARD</p> <p>This global parameter determines if keyboard and mouse are treated as a user activity.</p> <p>Value is represented as ABS_DATA with 4 bytes of length. Zero means the keyboard and mouse actions are not treated as a user activity, so only touching the sensor has impact to power management. Non-zero means the keyboard and mouse are considered a user activity.</p> <p>On Windows, the default value is 1 unless BSAPI is running in NT service compatible mode i.e. unless it is initialized with function ABSInitializeEx with flag ABS_INIT_FLAG_NT_SERVICE set. If BSAPI is in NT service compatible mode, the default value is zero.</p> <p>Note that on Windows and when the parameter is set to 1, the user activity is detected only in a context of active user's session. If the process does not run in active user's session, user actions on keyboard and mouse are not detected.</p> <p>On other systems, default value is zero and setting the value is not supported.</p> <p>See also ABS_PARAM_POWER_SAVE_MODE and ABS_PARAM_POWER_SAVE_TIMEOUT.</p>	14
<p>ABS_PARAM_LATENT_CHECK</p> <p>This global parameter determines whether anti-latent checks are performed implicitly.</p> <p>Value is represented as ABS_DATA with 1 byte of length. If set to 0, the anti-latent checks are disabled, when 1 (default) the checks are enabled, so any call to ABSEnroll or ABSVerify implicitly checks for latent fingerprints on area sensors.</p> <p>After calling another functions (e.g. ABSGrab or ABSCapture), it's up on application to do the check manually with function ABSCheckLatent if it desires to do so.</p> <p>See chapter 3.1.5 for more information about anti-latent technology.</p>	16



6.15. Parameter **ABS_PARAM_CONSOLIDATION_TYPE** Values (**ABS_CONSOLIDATION_xxxx**)

These constants are intended as possible values of parameter:

ABS_CONSOLIDATION_NORMAL	0
Normal consolidation algorithm is used. Enrollment template is constructed either from a subset of collected templates, or it uses one (the best) of provided templates. A built-in heuristic makes the decision which one of the approaches is used.	
ABS_CONSOLIDATION_CONVENIENT	1
Convenient consolidation algorithm is used. Similar to ABS_CONSOLIDATION_NORMAL policy with relaxed criteria for image/template acceptance for entering the enrollment process.	
ABS_CONSOLIDATION_STRICT	2
Strict consolidation algorithm is used. Similar to ABS_CONSOLIDATION_NORMAL policy, except that all collected templates must match each other (i.e. the same finger has to be used for all acquisitions).	

6.16. Parameter **ABS_PARAM_MATCH_LEVEL** Values (**ABS_MATCH_xxxx**)

These constants are intended as possible values of parameter:

ABS_MATCH_MIN_SECURITY	1
Minimal security setting.	
ABS_MATCH_LOWER_SECURITY	2
Lower security setting.	
ABS_MATCH_MEDIUM_SECURITY	3
Medium security setting.	
ABS_MATCH_HIGHER_SECURITY	4
Higher security setting.	
ABS_MATCH_MAX_SECURITY	5
Maximal security setting.	



6.17. Parameter ABS_PARAM_ANTISPOOFING_POLICY Values (ABS_ANTISPOOFING_xxxx)

These constants are intended as possible values of parameter:

ABS_ANTISPOOFING_DISABLED	0
Anti-spoofing checks are explicitly turned off on the fingerprint sensor. This is default value.	
ABS_ANTISPOOFING_AUTODETECT	1
Anti-spoofing checks are explicitly turned 'ON' on the fingerprint sensor if the device supports it.	
ABS_ANTISPOOFING_DEVICE_DEFAULT	2
Anti-spoofing settings are not touched in any way so default settings (device dependent) are used.	

6.18. Callback Message Codes (ABS_MSG_xxxx)

These codes are used as values for dwMsgID parameter of ABS_CALLBACK.

Callback function can react on various messages accordingly, usually showing/updating a dialog with some message. Also the specific ABS_MSG_xxxx values determine the meaning of the pMsgData parameter of the callback.

There are several categories of the messages:

- Process messages (ABS_MSG_PROCESS_xxxx). These determine lifecycle of the complete interactive operation. Each process is demarcated by ABS_MSG_PROCESS_BEGIN and ABS_MSG_PROCESS_END. Between the two some other messages (including nested sub-process) can arrive. See description of ABS_PROCESS_xxxx constants for more information about the operation lifecycle.
- Prompting messages (ABS_MSG_PROMPT_xxxx). The callback is expected to prompt user to do some action with the FM sensor, e.g. scan his finger, or left the finger from the sensor.
- Quality feedback messages (ABS_MSG_QUALITY_xxxx). These inform the user that his interaction with the sensor has low quality. Depending on the nature of the interactive operation, this can lead to repeating the process, so that the user is prompted to do the action again.
- Navigation messages (ABS_NAVIGATE_xxxx). These are called only during navigation (see ABSNavigate).

The following table lists all supported message codes.

ABS_MSG_PROCESS_BEGIN	0x11000000
New process stage of the interactive operation begun.	
Together with ABS_MSG_PROCESS_END, these messages define the interactive operation lifecycle skeleton.	
pMsgData points to additional data stored in structure ABS_PROCESS_BEGIN_DATA.	



ABS_MSG_PROCESS_END	0x12000000
<p>Process stage of the interactive operation ended.</p> <p>Together with ABS_MSG_PROCESS_BEGIN, these messages define the interactive operation lifecycle skeleton. See description of ABS_PROCESS_XXXX constants for more information about the operation lifecycle.</p> <p>pMsgData points to additional data stored in structure ABS_PROCESS_DATA.</p>	
ABS_MSG_PROCESS_SUSPEND	0x13000000
<p>Execution of the interactive operation has been suspended.</p> <p>It happens when some other operation (with the same or higher priority) acquires the sensor. After this interrupting operation finishes, the process is resumed again.</p> <p>pMsgData points to additional data stored in structure ABS_PROCESS_DATA.</p>	
ABS_MSG_PROCESS_RESUME	0x14000000
<p>The interactive operation has been resumed.</p> <p>pMsgData points to additional data stored in structure ABS_PROCESS_PROGESS_DATA.</p>	
ABS_MSG_PROCESS_PROGRESS	0x15000000
<p>Informs that the operation is in progress.</p> <p>pMsgData points to additional data stored in structure ABS_PROCESS_DATA.</p>	
ABS_MSG_PROCESS_SUCCESS	0x16000000
<p>Informs that the process has succeeded.</p> <p>If it comes it is last message before ABS_MSG_PROCESS_END. Depending on the particular process nature it can use ABS_MSG_PROCESS_SUCCESS or ABS_MSG_PROCESS_FAILURE before ABS_MSG_PROCESS_END, but some other processes do not call any of the two.</p> <p>pMsgData points to additional data stored in structure ABS_PROCESS_SUCCESS_DATA.</p>	
ABS_MSG_PROCESS_FAILURE	0x17000000
<p>Informs that the operation has failed.</p> <p>If it comes it is last message before ABS_MSG_PROCESS_END. Depending on the particular process nature it can use ABS_MSG_PROCESS_SUCCESS or ABS_MSG_PROCESS_FAILURE before ABS_MSG_PROCESS_END, but some other processes do not call any of the two.</p> <p>pMsgData points to additional data stored in structure ABS_PROCESS_DATA.</p>	
ABS_MSG_PROMPT_SCAN	0x21000000
<p>Callback should prompt the user to swipe his finger.</p> <p>pMsgData is always NULL.</p>	
ABS_MSG_PROMPT_TOUCH	0x22000000
<p>Callback should prompt user to touch the sensor.</p> <p>pMsgData is always NULL.</p>	
ABS_MSG_PROMPT_KEEP	0x23000000
<p>Callback should prompt user to keep the finger on the sensor.</p> <p>pMsgData is always NULL.</p>	



ABS_MSG_PROMPT_LIFT	0x24000000
Callback should prompt the user to lift his finger from the sensor. pMsgData is always NULL.	
ABS_MSG_PROMPT_CLEAN	0x25000000
Callback should prompt the user to clean the sensor. pMsgData is always NULL.	
ABS_MSG_QUALITY	0x30000000
Swipe quality is low. Note that if possible BSAPI sends more specific ABS_MSG_QUALITY_xxxx messages; this message is sent only when no more specific message is appropriate. pMsgData is always NULL.	
ABS_MSG_QUALITY_CENTER_HARDER	0x31000000
Swipe quality is low. User should center his finger on the sensor and press harder. pMsgData is always NULL.	
ABS_MSG_QUALITY_CENTER	0x31100000
Swipe quality is low. User should center his finger on the sensor. pMsgData is always NULL.	
ABS_MSG_QUALITY_TOO_LEFT	0x31110000
Swipe quality is low. The swipe is too left. pMsgData is always NULL.	
ABS_MSG_QUALITY_TOO_RIGHT	0x31120000
Swipe quality is low. The swipe is too right. pMsgData is always NULL.	
ABS_MSG_QUALITY_TOO_HIGH	0x31130000
Swipe quality is low. The swipe is too high. pMsgData is always NULL.	
ABS_MSG_QUALITY_TOO_LOW	0x31140000
Swipe quality is low. The swipe is too low. pMsgData is always NULL.	
ABS_MSG_QUALITY_HARDER	0x31200000
User should press harder. pMsgData is always NULL.	
ABS_MSG_QUALITY_TOO_LIGHT	0x31210000
Swipe quality is low. The swipe is too light. pMsgData is always NULL.	



ABS_MSG_QUALITY_TOO_DRY	0x31220000
Swipe quality is low. The swipe is too dry. pMsgData is always NULL.	
ABS_MSG_QUALITY_TOO_SMALL	0x31230000
Swipe quality is low. The swipe is too small. pMsgData is always NULL.	
ABS_MSG_QUALITY_TOO_SHORT	0x32000000
Swipe quality is low. The swipe is too short. pMsgData is always NULL.	
ABS_MSG_QUALITY_TOO_FAST	0x33000000
Swipe quality is low. The swipe is too fast. pMsgData is always NULL.	
ABS_MSG_QUALITY_TOO_SKEWED	0x34000000
Swipe quality is low. The swipe is too skewed. pMsgData is always NULL.	
ABS_MSG_QUALITY_TOO_DARK	0x35000000
Swipe quality is low. The swipe is too dark. pMsgData is always NULL.	
ABS_MSG_QUALITY_BACKWARD	0x36000000
Swipe quality is low. The swipe is moved backward. pMsgData is always NULL.	
ABS_MSG_QUALITY_BACKWARD	0x36000000
Swipe quality is low. The swipe is moved backward. pMsgData is always NULL.	
ABS_MSG_QUALITY_JOINT	0x37000000
Swipe quality is low. Joint has been detected. pMsgData is always NULL.	
ABS_MSG_NAVIGATE_CHANGE	0x41000000
Notifies about navigation change (user has moved his finger, touched the sensor of left the finger). Applies only during navigation operation. pMsgData points to ABS_NAVIGATION_DATA structure.	
ABS_MSG_NAVIGATE_CLICK	0x42000000
Notifies that the user clicked on sensor by his finger. Applies only during navigation operation. pMsgData is always NULL.	



ABS_MSG_DLG_SHOW	0x51000000
Notifies that the feedback dialog should be shown. pMsgData is always NULL.	
ABS_MSG_DLG_HIDE	0x52000000
Notifies that the feedback dialog should be hidden. pMsgData is always NULL.	
ABS_MSG_IDLE	0x0
Special message, which gives the callback a chance to cancel the interactive operation. pMsgData is always NULL. Note that this message is used only when flag ABS_OPERATION_FLAG_USE_IDLE was specified in structure ABS_OPERATION. This allows canceling the interactive operation even in single-threaded applications.	



7.0. List of Defined Result Codes

The following result codes can be returned as the PT_STATUS values.

Success returns status.	
ABS_STATUS_OK	(0)
General, unknown, or unspecified error.	
ABS_STATUS_GENERAL_ERROR	(-5001)
Internal error.	
ABS_STATUS_INTERNAL_ERROR	(-5002)
BSAPI has been already initialized.	
ABS_STATUS_ALREADY_INITIALIZED	(-5003)
BSAPI is not initialized.	
ABS_STATUS_NOT_INITIALIZED	(-5004)
Connection is already opened.	
ABS_STATUS_ALREADY_OPENED	(-5005)
Invalid parameter.	
ABS_STATUS_INVALID_PARAMETER	(-5006)
Invalid (connection) handle.	
ABS_STATUS_INVALID_HANDLE	(-5007)
No such device found.	
ABS_STATUS_NO_SUCH_DEVICE	(-5008)
Operation has been interrupted due timeout.	
ABS_STATUS_TIMEOUT	(-5009)
Requested feature/function not implemented.	
ABS_STATUS_NOT_IMPLEMENTED	(-5010)
Requested feature/function not supported.	
ABS_STATUS_NOT_SUPPORTED	(-5011)
The operation has been canceled.	
ABS_STATUS_CANCELED	(-5012)
The operation has not been found (invalid operation ID or the operation already finished).	
ABS_STATUS_NO_SUCH_OPERATION	(-5013)



8.0. New Features in Version 3.5

8.1. Global Parameter ABS_PARAM_IFACE_VERSION

New global parameter `ABS_PARAM_IFACE_VERSION` was added, which allows the caller to detect the interface of the BSAPI because version 3.5 of BSAPI brings one incompatibility with previous version: dynamic enrollment (see below).

The old interface (which does not support this parameter) is version 1. Current version is 2. Future versions of BSAPI will use higher numbers if they will introduce new incompatibilities.

To distinguish between version 1 and 2 of the interface programmatically, call `ABSGetGlobalParameter()` with `dwParam` set to `ABS_PARAM_IFACE_VERSION`. If the return value is `ABS_STATUS_NOT_SUPPORTED`, it's interface version 1. If `ABS_STATUS_OK` is returned, interpret the returned output parameter to determine number of the interface.

Note that this parameter is designed to be read-only. I.e. you can only get its value with `ABSGetGlobalParameter()`. Attempting to use it in `ABSSetGlobalParameter()` will fail with `ABS_STATUS_NOT_SUPPORTED`.

8.2. Dynamic Enrollment

Since version 3.5 BSAPI.DLL uses a dynamic enrollment. This means that there is no a priori known count how many swipes are required to enroll a finger. During the enrollment process the resulted fingerprint template is actualized and analyzed after each finger scan, and the process finishes when BSAPI evaluates quality of the fingerprint template as sufficient.

This change required several changes in the API.

8.2.1. Global Parameter ABS_PARAM_CONSOLIDATION_COUNT

This global parameter was already present in older version of BSAPI however set of supported values have changed. Old version supported 3 and 5 swipes mostly on all devices. Currently only values 0 (default, meaning the dynamic enrollment) and 5 are supported.

Value 3 is not longer supported since version 3.5.

8.2.2. Structure ABS_PROCESS_BEGIN_DATA

Message `ABS_MSG_PROCESS_BEGIN` has attached some information, pointed by last parameter sent to `ABS_CALLBACK` function. The data are described by `ABS_PROCESS_BEGIN_DATA`.

Now the member `StepCount` can be set to zero if count of steps is not known, e.g. as in case of dynamic enrollment.

8.2.3. Structure ABS_PROCESS_PROGRESS_DATA

Message `ABS_MSG_PROCESS_PROGRESS` now comes with more data. Previously it was accompanied with `ABS_PROCESS_DATA`, now `ABS_PROCESS_PROGRESS_DATA` is sent.

Note that `ABS_PROCESS_PROGRESS_DATA` is binary compatible with `ABS_PROCESS_DATA`. `ABS_PROCESS_PROGRESS_DATA` is superset of `ABS_PROCESS_DATA`. Beside the old `ProcessID` member, `ABS_PROCESS_PROGRESS_DATA` has member `Percentage` which informs the caller how the operation progresses.

The process (e.g. the dynamic enrollment) ends when the `Percentage` reaches 100. For processes where the `Percentage` is not applicable, it's set to `0xFFFFFFFF`.

8.2.4. Constant ABS_PROCESS_CONSOLIDATE

The enrollment process has been changed and the separate finger templates are consolidated into the resulted enrollment template gradually so the consolidation is not single step of the enrollment



process.

Member `ProcessID` in structures `ABS_PROCESS_DATA`, `ABS_PROCESS_BEGIN_DATA`, `ABS_PROCESS_PROGRESS_DATA` and `ABS_PROCESS_SUCCESS_DATA` is never set to the value. The constant is kept in `bstypes.h` header for backward compatibility of application source codes which might use it.

8.3. Image Grabbing Functions

8.3.1. Constant `ABS_FLAG_HIGH_RESOLUTION`

Function `ABSGrab` accepts new flag `ABS_FLAG_HIGH_RESOLUTION`, which asks the function to use the highest available image resolution.

8.3.2. Structure `ABS_IMAGE`

Structure `ABS_SAMPLE_IMAGE` was renamed to `ABS_IMAGE`. `ABS_SAMPLE_IMAGE` is kept as typedefed alias of `ABS_IMAGE` for backward compatibility.

8.3.3. New Grabbing Functions

Three new brand image grabbing functions are added in `BSAPI.DLL` version 3.5: `ABSListImageFormats`, `ABSGrabImage` and `ABSRawGrabImage`. All these use new structure `ABS_IMAGE_FORMAT` to identify supported and desired image formats.

8.4. Global Parameter

`ABS_PARAM_POWER_SAVE_CHECK_KEYBOARD`

New global parameter `ABS_PARAM_POWER_SAVE_CHECK_KEYBOARD` was added, which allows tuning of power management into more details.

8.5. Internal Template Format Types

Please note this article refers only to the data of the template itself, i.e. the member `Data` of `ABS_BIR` structure. All internal template types are always preceded by `ABS_BIR_HEADER` when returned from `BSAPI`, and also the `ABS_BOR_HEADER` preceding the data is expected on input.

In general `UPEK` uses several template format types:

- legacy template,
- alpha template,
- beta template,
- alpha multi-template.

The internal format of the fingerprint templates returned from the `BSAPI.DLL` has changed in version 3.5. `BSAPI.DLL` up to version 3.0 always returned all templates in the legacy format. Since `BSAPI.DLL` 3.5, enrollment process results in alpha multi-template and verification templates are always beta. Future `BSAPI` versions might switch to another and even yet undefined template format.

`BSAPI` 3.5 is able to take any of the listed template types on input. When comparing two templates with `ABSVerifyMatch` function, each of the input templates can have different format. So typically you don't need to care from which version the template originates.

If you really need a specific format of the template, e.g. when you need the template to pass to another library (not part of `BSAPI` SDK), not supporting too new template types, you may use `BCLIB` library. `BCLIB` is now provided as a part of the `BSAPI` SDK. It provides an interface for converting among various template format types. However remember that some conversions might imply partial data loss of the template, and not all conversions are supported (for example converting legacy to beta is not supported). Refer to documentation of the `BCLIB` for more information about this topic.



8.6. Compatibility with Windows NT Services

Since version 3.5 BSAPI.DLL provides new function `ABSInitializeEx`, taking a bitmask flags as its only parameter. This function can be (on Windows platform) used to initialize in a mode compatible with Windows NT service.

8.7. ABS_CALLBACK and Threads

Callbacks from interactive operations are now guaranteed to be called from the same thread context, where the interactive operation has been called. This is especially important for developers which use BSAPI.DLL from a programming language without any support for multithreading, e.g. MS VisualBasic.

8.8. Support for Terminal and Citrix

In future, BSAPI shall support opening devices in a context of remote session via Windows Terminal Services and Citrix. This support is not yet included in current BSAPI version, but there are some new aspects of BSAPI in order to make the change in the future smoother.

The support (when implemented) shall mean that when the process using BSAPI will be running in a remote session, opening a fingerprint sensor device will be opened on the client's side!

Currently when you attempt to open the device in the context of the remote session, the BSAPI call fails with an internal error, which roughly means that the situation has been detected, and that the BSAPI call fails as the feature is not finished yet.

However there is a new initialization flag `ABS_INIT_FLAG_FORCE_LOCAL_SENSOR`, which can be passed into `ABSInitializeEx` function. When used, the detection of remote sessions is disabled and BSAPI always opens only local devices. This flag is already fully implemented. I.e. using this flag currently prevents BSAPI from returning the internal error, and in future it will force BSAPI to use the local sensors and never remote sensors.

When the user's session is not remote, the flag has no effect and BSAPI always uses local sensors.